

D56/D57-XXX200/400B

Door type: door panel width mm (X_{total}), max opening mm

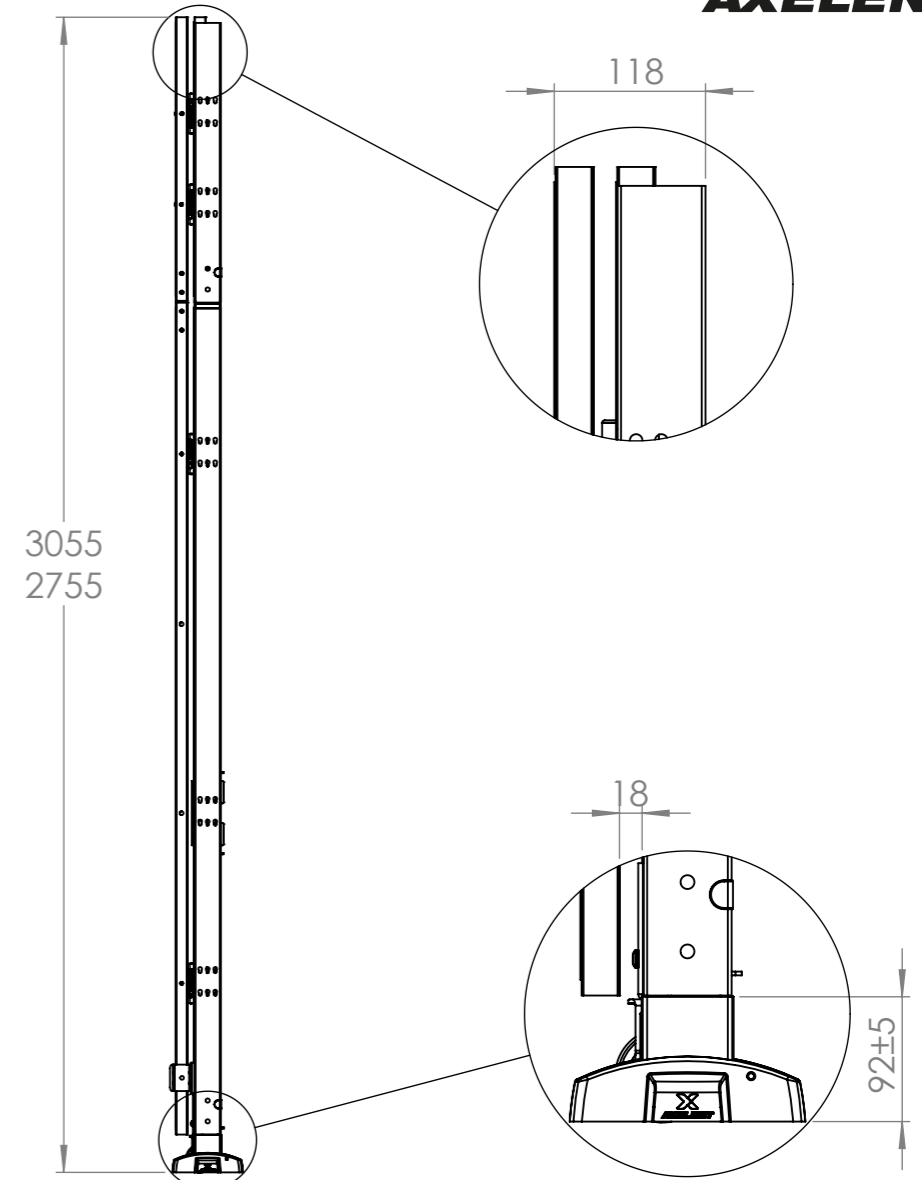
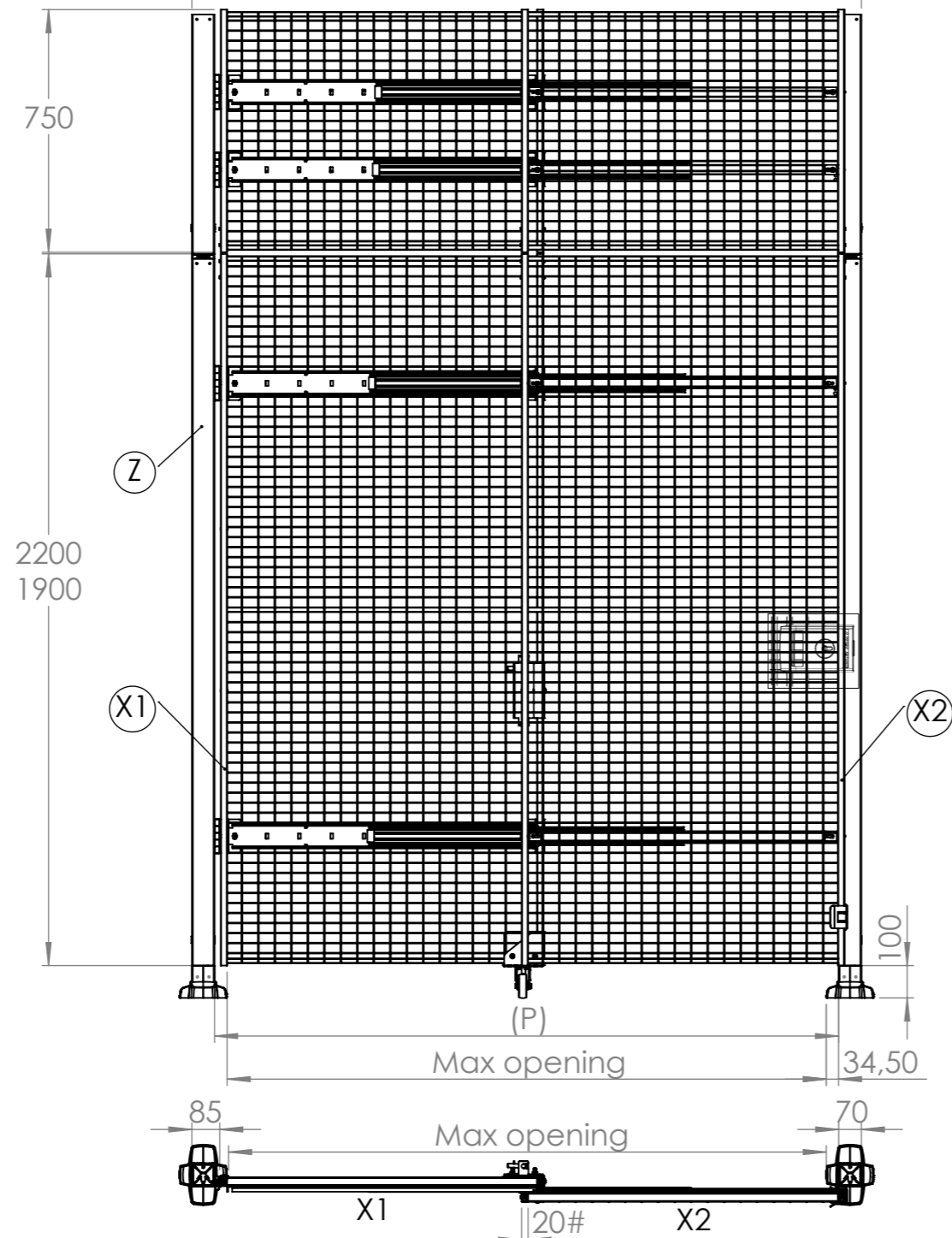
D56-XXX200B: 2000 mm, 1915,5 mm

D57-XXX400B: 4000 mm, 3900 mm

XXX= Height on posts

Total width of door (200B)=2115 mm (max)=X1+X2+115

Total width of door (400B)=4130 mm (max)=X1+X2+..+130



Max opening (200B) = X (total panel width) - 84,5 mm (84,5 mm= 20 + 30 + 34,5 mm)
Max opening (400B) = X (total panel width) - 100 mm (100 mm= (20x2) + (30x2) mm)
(P) Post to post opening (200B) = X (total panel width) - 25 mm** (**= overlapping of panels in closed position (25 mm= (20x2) - 15)
(P) Post to post opening (400B) = X (total panel width) - 10 mm** (**= overlapping of panels in closed position (10 mm= (20x2) - (15x2))
20#= Dimension in door closed position
Max opening is affected by "A" mm with lock (without door accessories*)

Item No.	Art No.	Qty.	
		(+x)= extension	
		200B	400B
X (1,2..)	322-XXXXXX	2 (+2)	4 (+4)
Z	P13-XXX	2	2

Locks	A (lock to post)
L20-05-0 (Snap lock)	-
L20-05-2 (Hitch lock)	-
XIT-L/R01-301 (Cylinder lock)	-
XIT-L/R14-301 (Slam shut)	-
XIT-L/R09-301 (Electric)	-
L66-20/21-L/R (X-lock)	-
B-135 (MGB)	-
B-136 (MGB Escape Release)	-