

# D56/D57-XXX200/400A

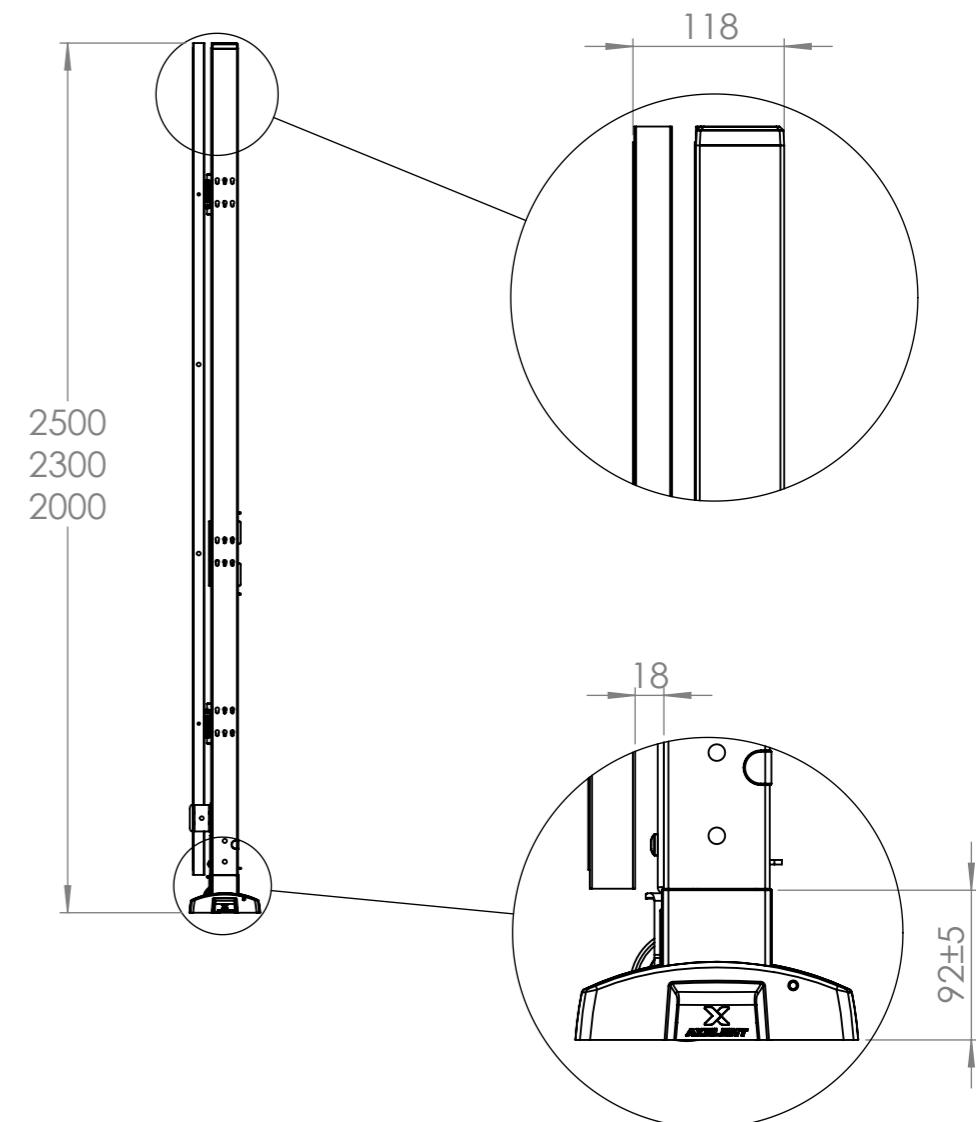
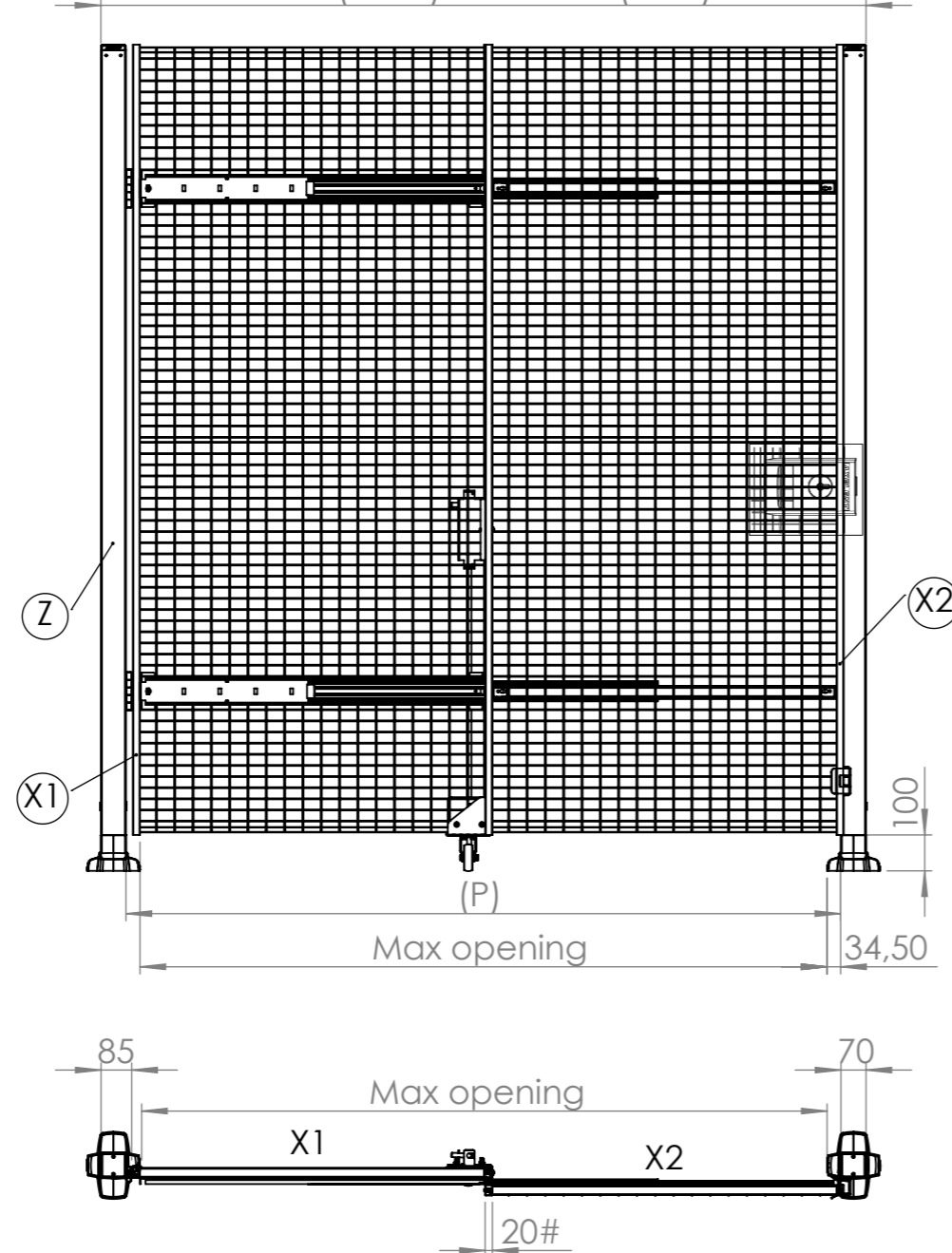
Door type: door panel width mm ( $X_{total}$ ), max opening mm

D56-XXX200A: 2000 mm, 1915,5 mm

D57-XXX400A: 4000 mm, 3900 mm

XXX= Height on posts

Total width of door (200A)=2115 mm (max)= $X1+X2+115$   
 Total width of door (400A)=4130 mm (max)= $X1+X2+..+130$



<b>Max opening (200A) = X (total panel width) - 84,5 mm</b> ( $84,5\text{ mm} = 20 + 30 + 34,5\text{ mm}$ )
<b>Max opening (400A) = X (total panel width) - 100 mm</b> ( $100\text{ mm} = (20 \times 2) + (30 \times 2)\text{ mm}$ )
(P) Post to post opening (200A) = X (total panel width) - 25 mm** (**= overlapping of panels in closed position ( $25\text{ mm} = (20 \times 2) - 15$ ))
(P) Post to post opening (400A) = X (total panel width) - 10 mm** (**= overlapping of panels in closed position ( $10\text{ mm} = (20 \times 2) - (15 \times 2)$ ))
20# = Dimension in door closed position
Max opening is affected by "A" mm with lock (without door accessories*)

Item No.	Art No.	Qty.	
		200A	400A
X (1,2..)	322-XXXXXX	2	4
Z	P13-XXX	2	2

Locks	A (lock to post)
L20-05-0 (Snap lock)	-
L20-05-2 (Hitch lock)	-
XIT-L/R01-301 (Cylinder lock)	-
XIT-L/R14-301 (Slam shut)	-
XIT-L/R09-301 (Electric)	-
L66-20/21-L/R (X-lock)	-
B-135 (MGB)	-
B-136 (MGB Escape Release)	-