

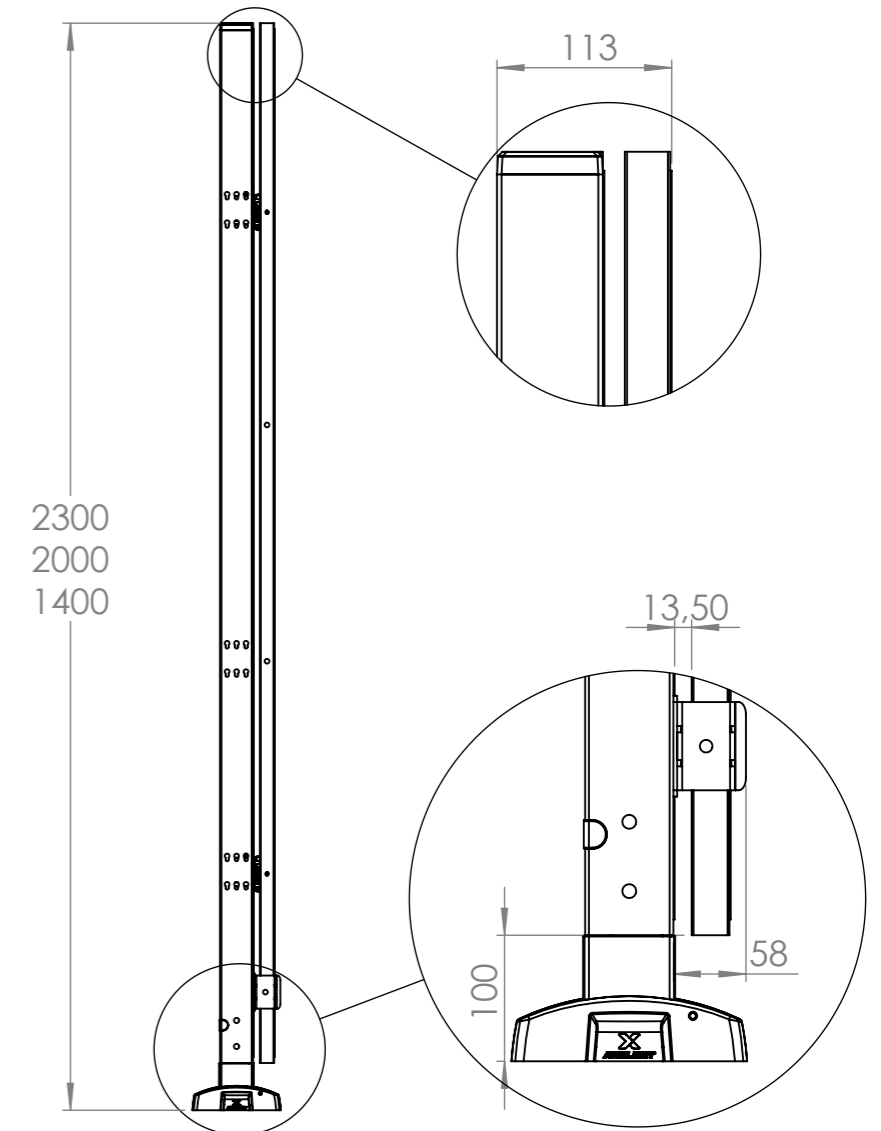
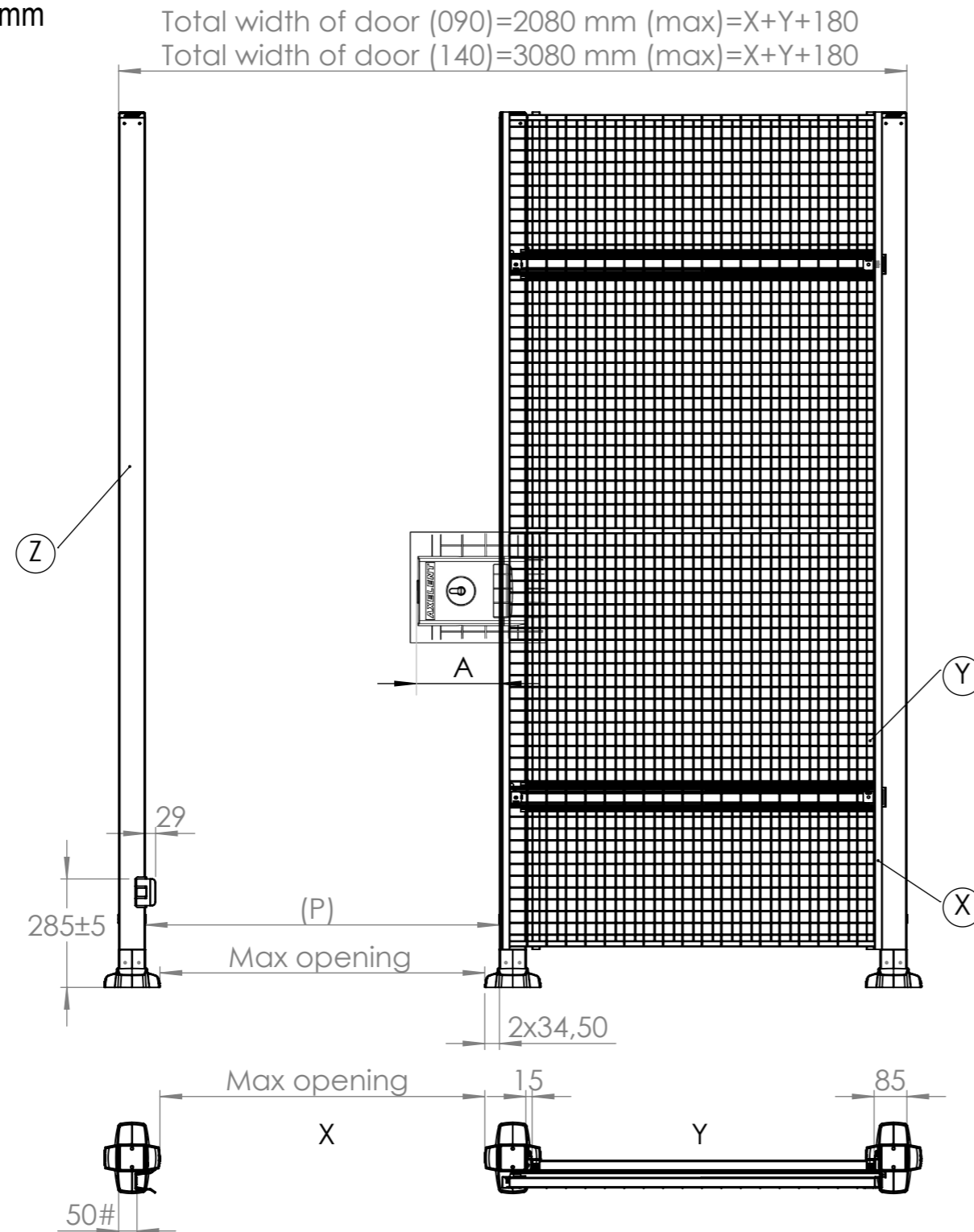
D46-XXX090/140

Door type: door panel width mm (X), max opening mm

D46-XXX090: 1000 mm, 869 mm

D46-XXX140: 1500 mm, 1369 mm

XXX= Height on posts



Max opening = X (panel width) - 131 mm (131 mm= (2x34,5) + 20 + 42 (panel x post overlapping) mm))
(P) Post to post opening = X (panel width) - 62 mm** (**= panel in closed position overlapping posts (62 mm= 20 + 42))
50#= Dimension in door closed position
Max opening is affected by "A" mm with lock (without door accessories*)

Item No.	Art No.	Qty.	
		090	140
X	322-XXXXXX	1	1
Y	322-XXXXXX	1	1
Z	P13-XXX	3	3

Locks	A (lock to post)
L20-05-0 (Snap lock)	-
L20-05-2 (Hitch lock)	105 mm
XIT-L/R01-301 (Cylinder lock)	-
XIT-L/R14-301 (Slam shut)	215 mm
XIT-L/R09-301 (Electric)	-
L66-20/21-L/R (X-lock)	190 mm
B-135 (MGB)	-
B-136 (MGB Escape Release)	135 mm