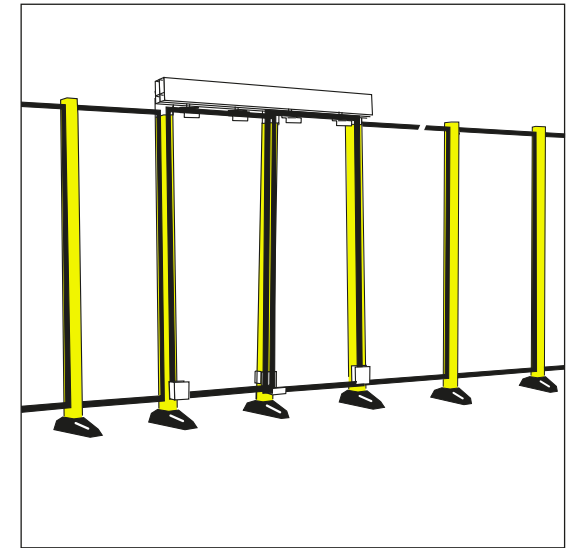
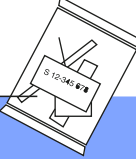
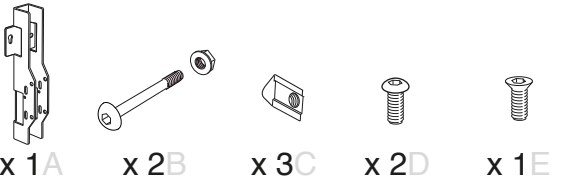
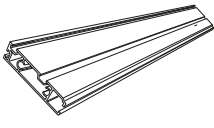
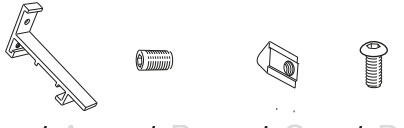
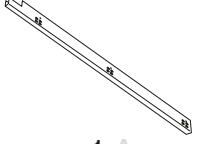
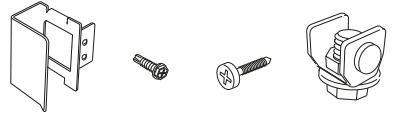
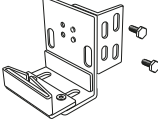

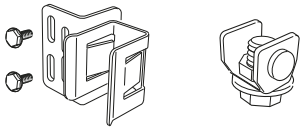
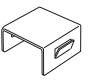
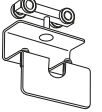
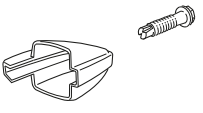
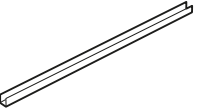
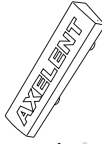


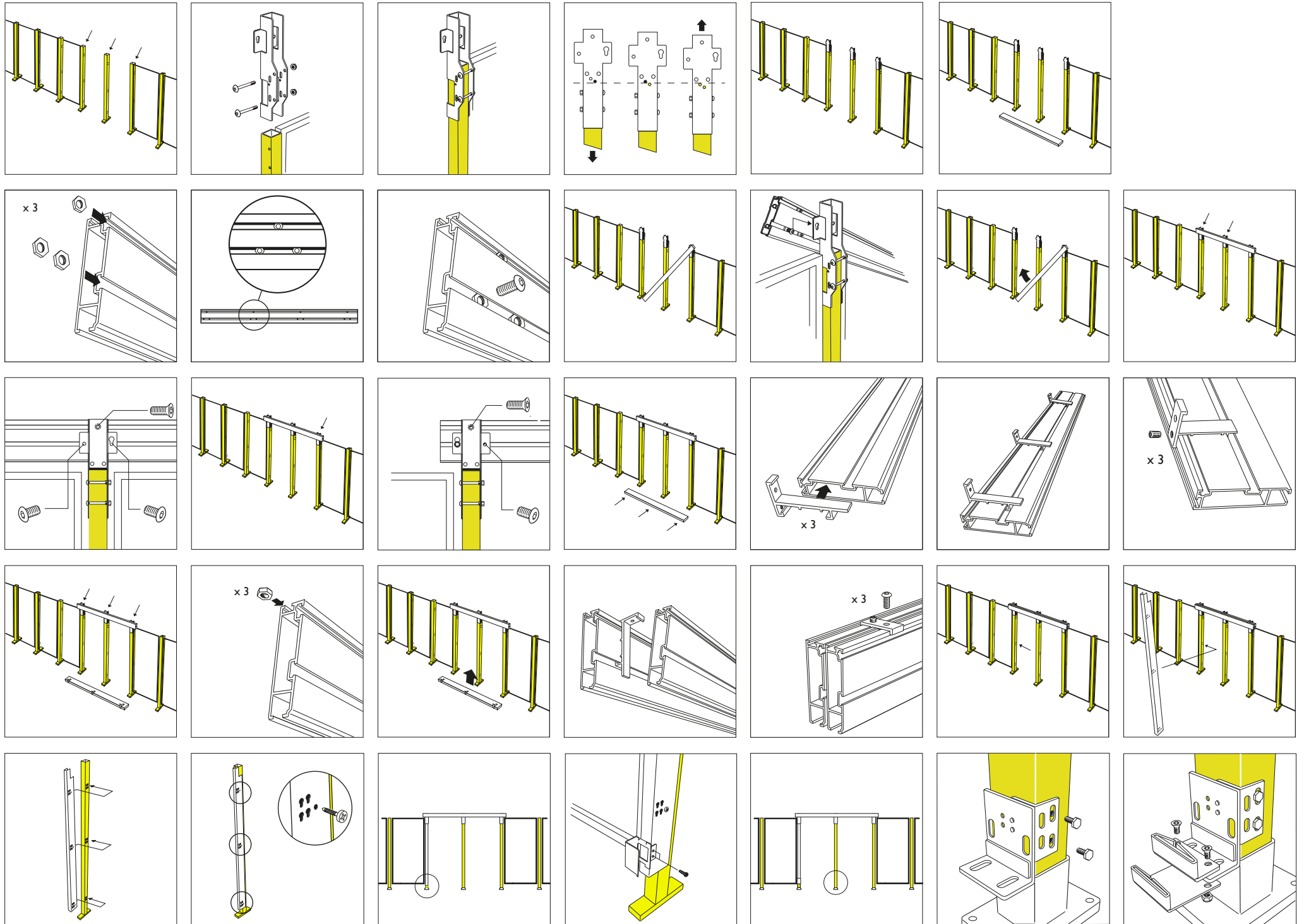
AXELENT X-GUARD D44-200140 D44-230140



20160202

 <p>B40-4F x 3</p>	 <p>x 1A x 2B x 3C x 2D x 1E</p>	<p>G2382-310 x 2</p>	 <p>x 1 A</p>
<p>B24-4D x 3</p>	 <p>x 1A x 1B x 1C x 1D</p>	<p>D3SB1-190 D3SB1-220 x 1</p>	 <p>x 1 A</p>
<p>B24-4C x 1</p>	 <p>x 1A x 2B x 3C x 2D</p>	<p>B40-4B x 1</p>	 <p>x 1 A</p>
<p>B24-4B x 1</p>	 <p>x1A x1B x1C x2D x2E</p>	<p>B40-4C x 1</p>	 <p>x 1 A x 2 B</p>
<p>G2741 x 4</p>	 <p>x 1 A</p>	<p>B20-2K x 4</p>	 <p>x 1 A</p>
<p>B20-2R x 1</p>	 <p>x 1 A</p>	<p>D3U2-150 x 2</p>	 <p>x 1 A</p>
<p>G2384 x 4</p>	 <p>x 1 A</p>		

AXELENT X-GUARD D44-200140 / D44-230140



AXELENT X-GUARD D44-200140 / D44-230140

