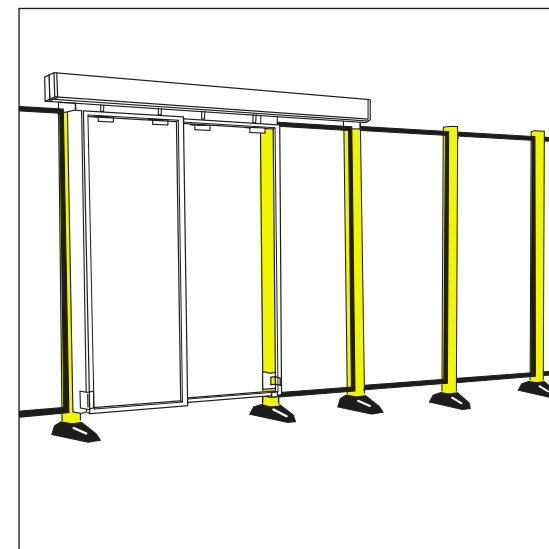


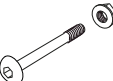



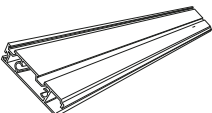
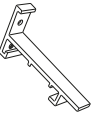

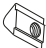

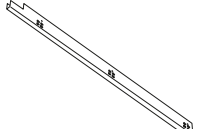
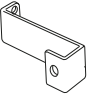


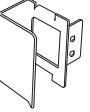



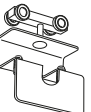
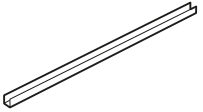
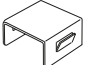
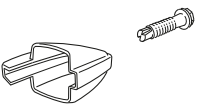

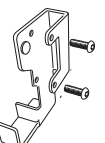



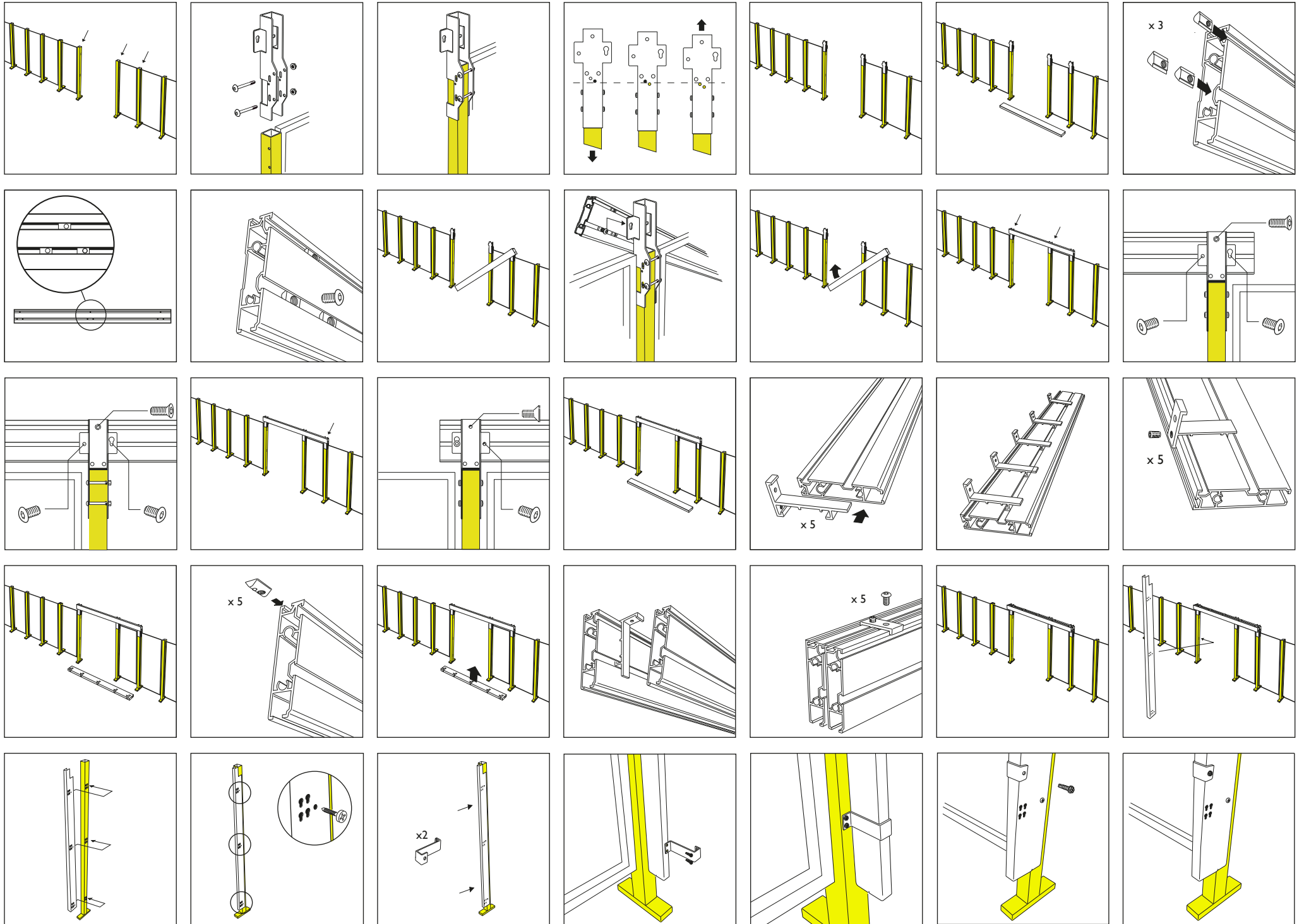
# AXELENT X-GUARD D43-200300R D43-230300R



20170321

 <p><b>B40-4F</b> x 3</p>	 x 1A  x 2B  x 3C  x 2D  x 1E	<p>G2382-620 x 2</p>	 x 1 A		
<p><b>B24-4D</b> x 5</p>	 x 1 A  x 1 B  x 1 C  x 1 D	<p>D3SB1-190 D3SB1-220 x 1</p>	 x 1 A		
<p><b>B23-3E</b> x 1</p>	 x 2A  x 6B  x 3D	<p><b>B24-4C</b> x 1</p>	 x 1 A  x 2 B  x 3 C  x 2 D	<p><b>B20-2K</b> x 4</p>	 x 1 A
<p>D3U2-150 x 2</p>	 x 1 A	<p>G2741 x 4</p>	 x 1 A	<p><b>B20-2R</b> x 2</p>	 x 1 A
<p><b>B43-3A</b> x 1</p>	 x 1 A	<p><b>B23-3B</b> x 1</p>	 x 1 A	<p>G2384 x 4</p>	 x 1 A

AXELENT X-GUARD D23-200300R / D23-230300R



AXELENT X-GUARD D23-200300R / D23-230300R

