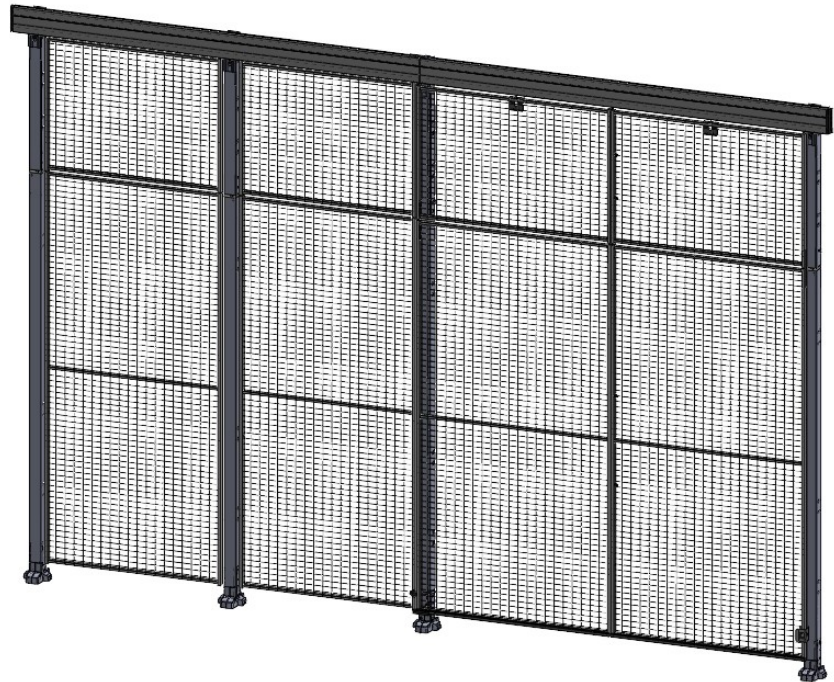


D40-XXX220B

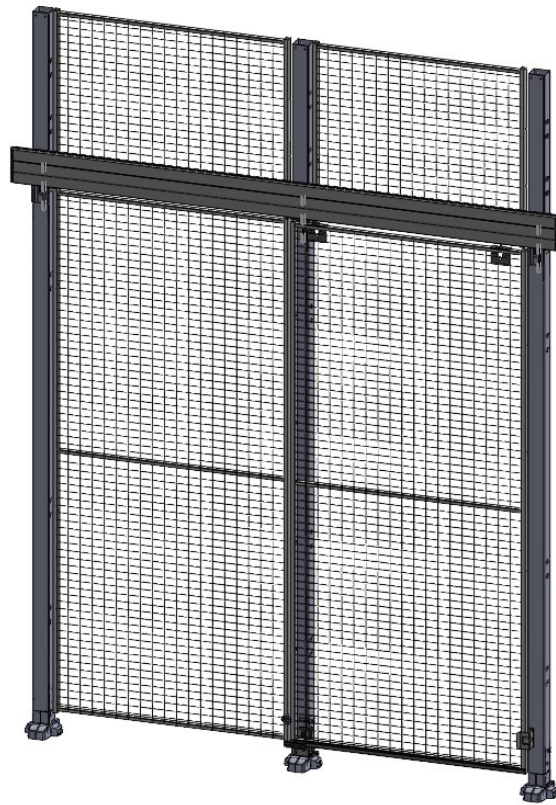


ITEM NO.	ART NUMBER	QTY.
1	G2382-230	2
4	B20-2J	1
3	022-XXXXXX(Not included)	2
4	022-XXXXXX(Not included)	2
5	B20-2K	2
6	B20-2R	1
7	331-220-000	1
8	G2741	4
9	B00-010	2
10	022-XXXXXX(Not included)	2
11	022-XXXXXX(Not included)	2
12	B20-2E	2
13	G2384	2
14	B20-2S	1
15	P03-XXX(Not included)	4
16	E03-XXX(Not included)	4
17	B40-5F	4
18	B40-5B	1
19	B40-5C	1

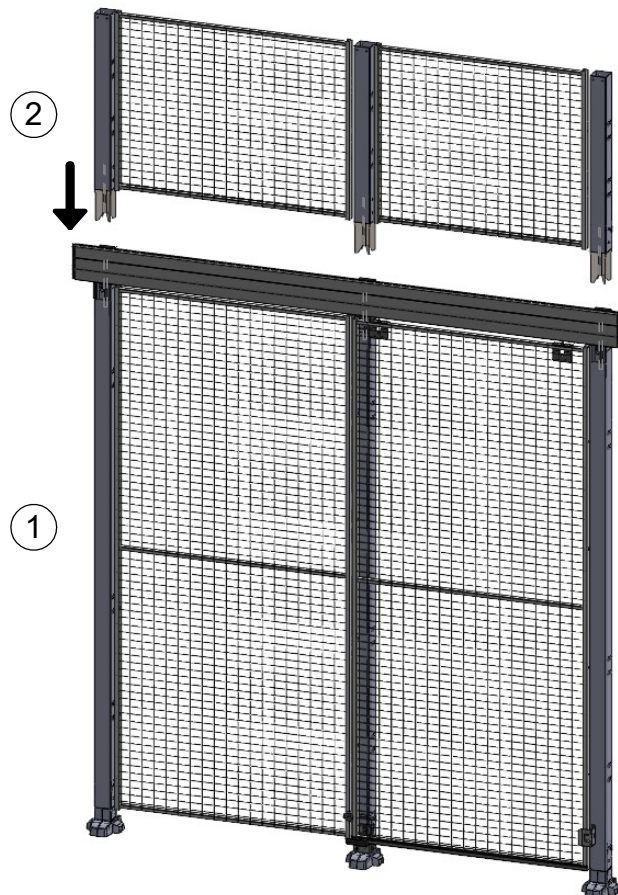


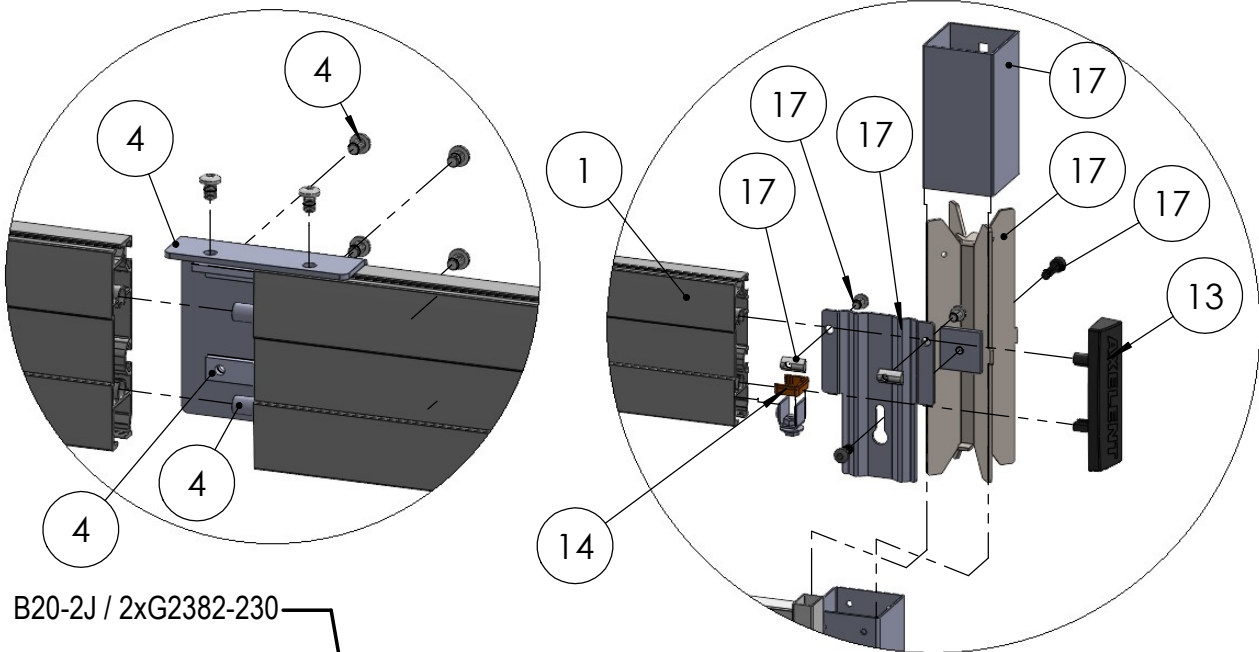
Date: 2021-06-14	Version F.4	Axelent AB BOX 1 · KÄVSJÖVÄGEN 17 SE-335 73 · HILLERSTORP SWEDEN TEL +46 (0)370-37 37 30 INFO@AXELENT.SE AXELENT.COM	BG инструкции за монтаж CZ Montážní návod DE Montageanleitung DK Monteringsvejledning EE Paigaldusjuhendid ES Instrucciones de montaje FI Kokoamisohje FR Les instructions d'assemblage GR οδηγίες συναρμολόγησης HU Összeszerelési utasítások IE Treoracha cóimeála IT Istruzioni di montaggio	JP 組立説明書 LT Montavimo instrukcijos LV Montāžas instrukcijas MT Istruzzjonijiet għall-immuntar NL Montage-instructies PL Instrukcje składowania PT Instruções de montagem RO Instrucțiunile de asamblare SE Monteringsanvisningar SI Navodila za montažo SK Návod na montáž UK Assembly guide
	C-number (for internal use) C-0004715-01			

1)



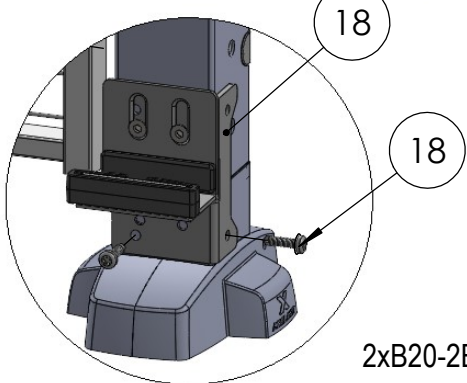
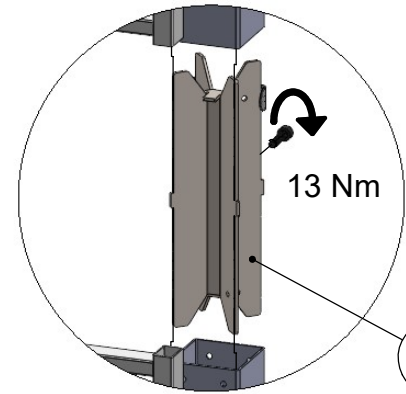
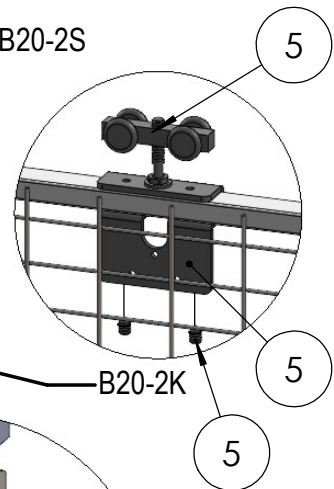
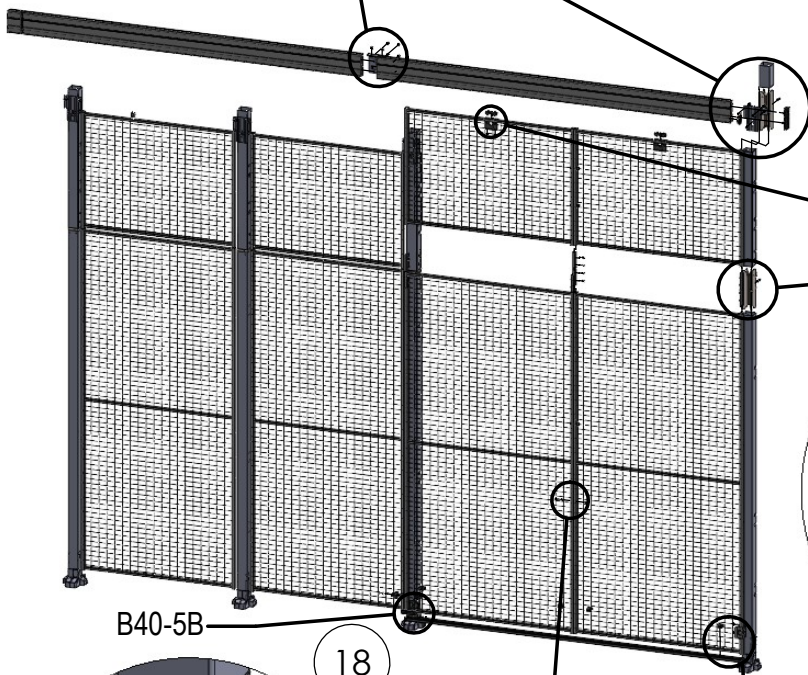
2)



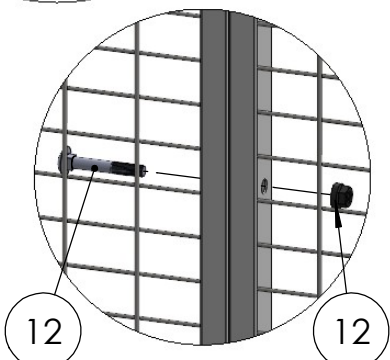
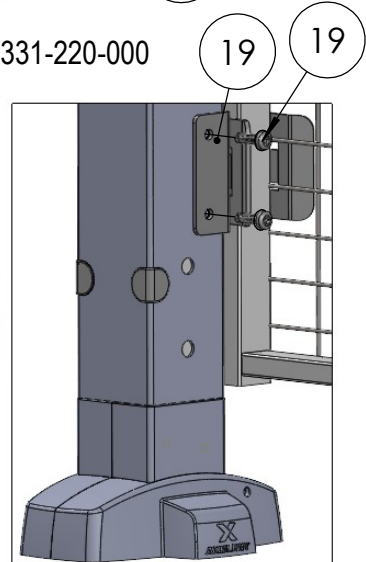
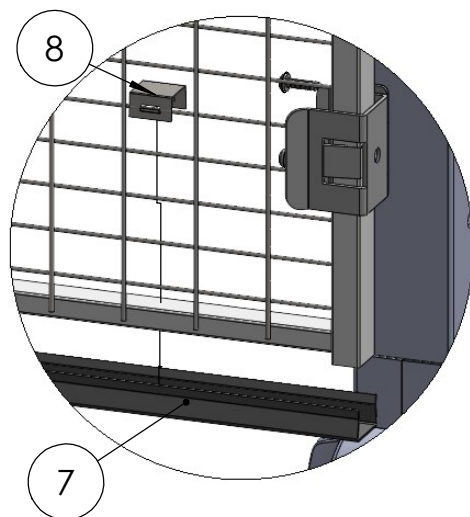


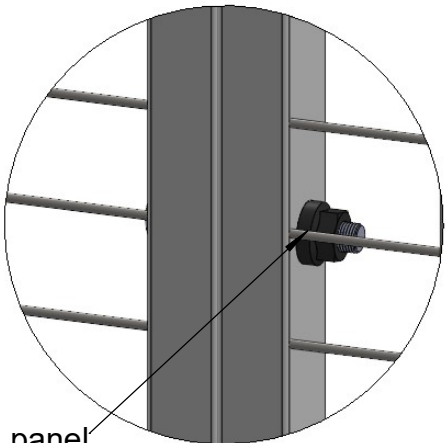
B20-2J / 2xG2382-230

2xG2382-230 / B40-5C / 2xG2384 / 4xB40-5F / B20-2S

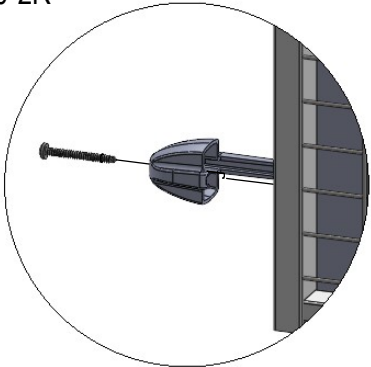
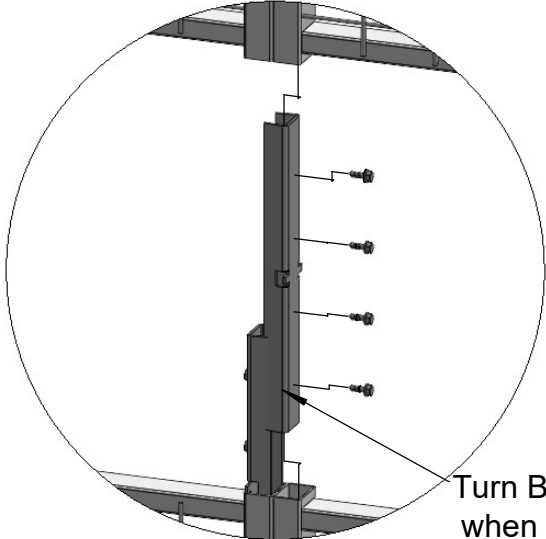
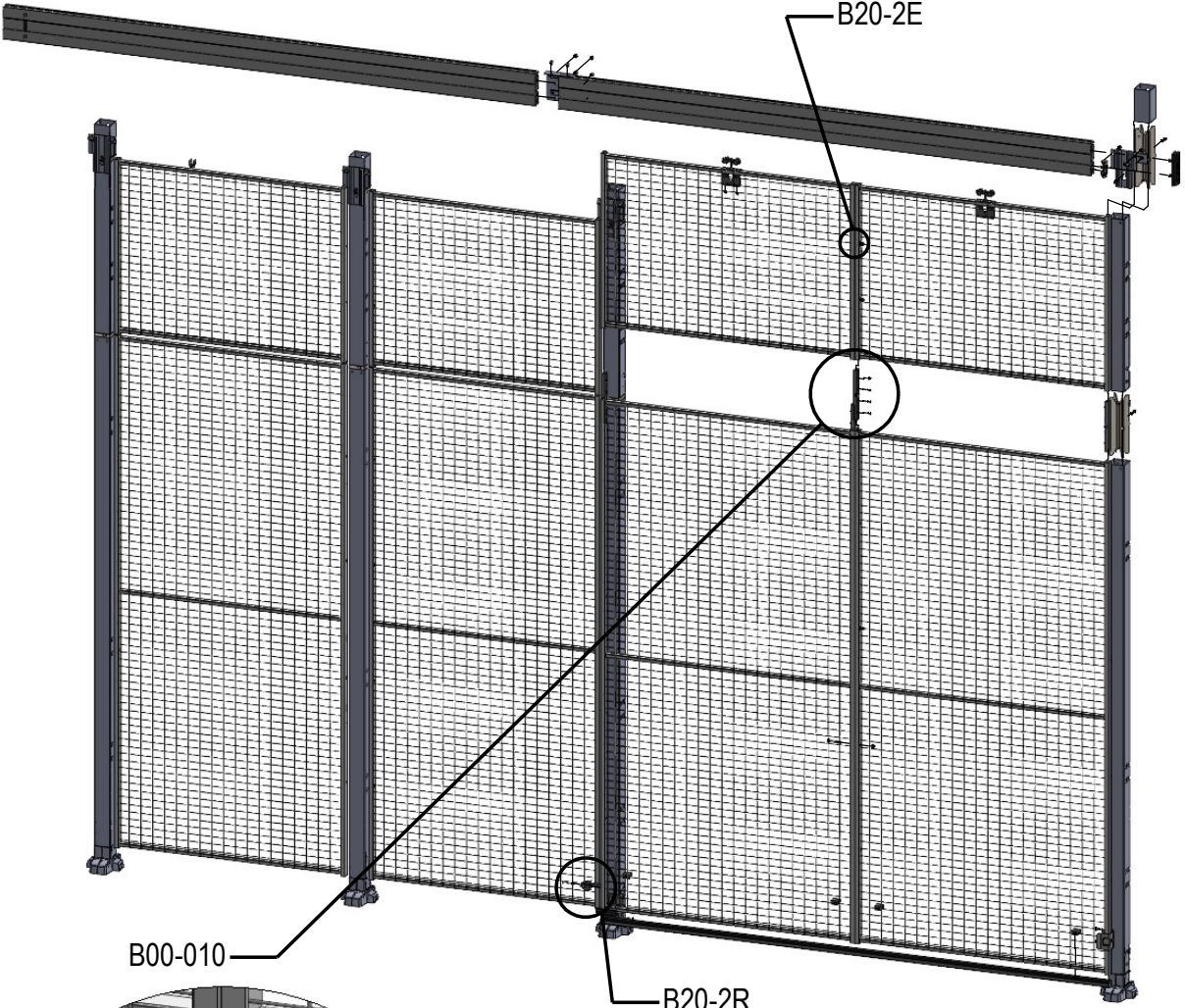


2xB20-2E





Clean the holes by a 10 mm drill to easier insert B20-2E in the 750 mm high panel



Turn B00-010 so you insert the screws from the inside of the panel, when the panels should be mate together.