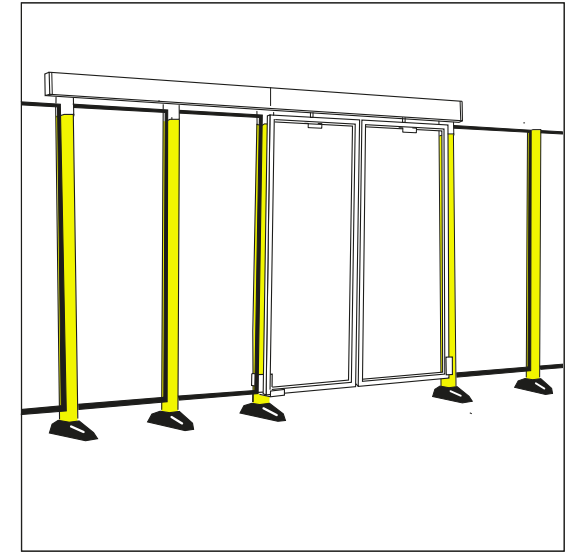
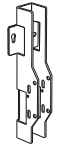
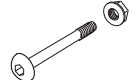
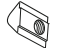


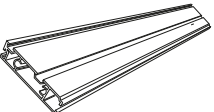


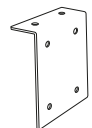
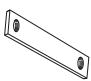


AXELENT X-GUARD D40-XXX220A

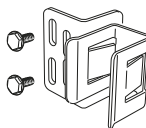



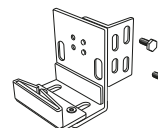
20160202

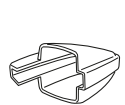

B40-4F x 4	 x 1 A	 x 2 B	 x 3 C	 x 2 D	 x 1 E
----------------------	--	--	--	--	--

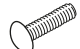

G2382-230 x 2	 x 1 A
-------------------------	--

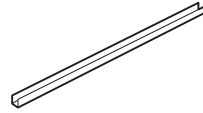
B20-2J x 1	 x 1 A	 x 3 B	 x 2 C	 x 6 D
----------------------	--	--	--	--

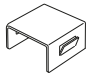
B40-4C x 1	 x 1 A	 x 2 B
----------------------	--	--

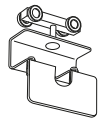
B40-4B x 1	 x 1 A
----------------------	--


B20-2R x 1	 x 1 A	 x 1 A
----------------------	--	--

B20-2E x 1	 x 2 A	 x 2 B
----------------------	--	--

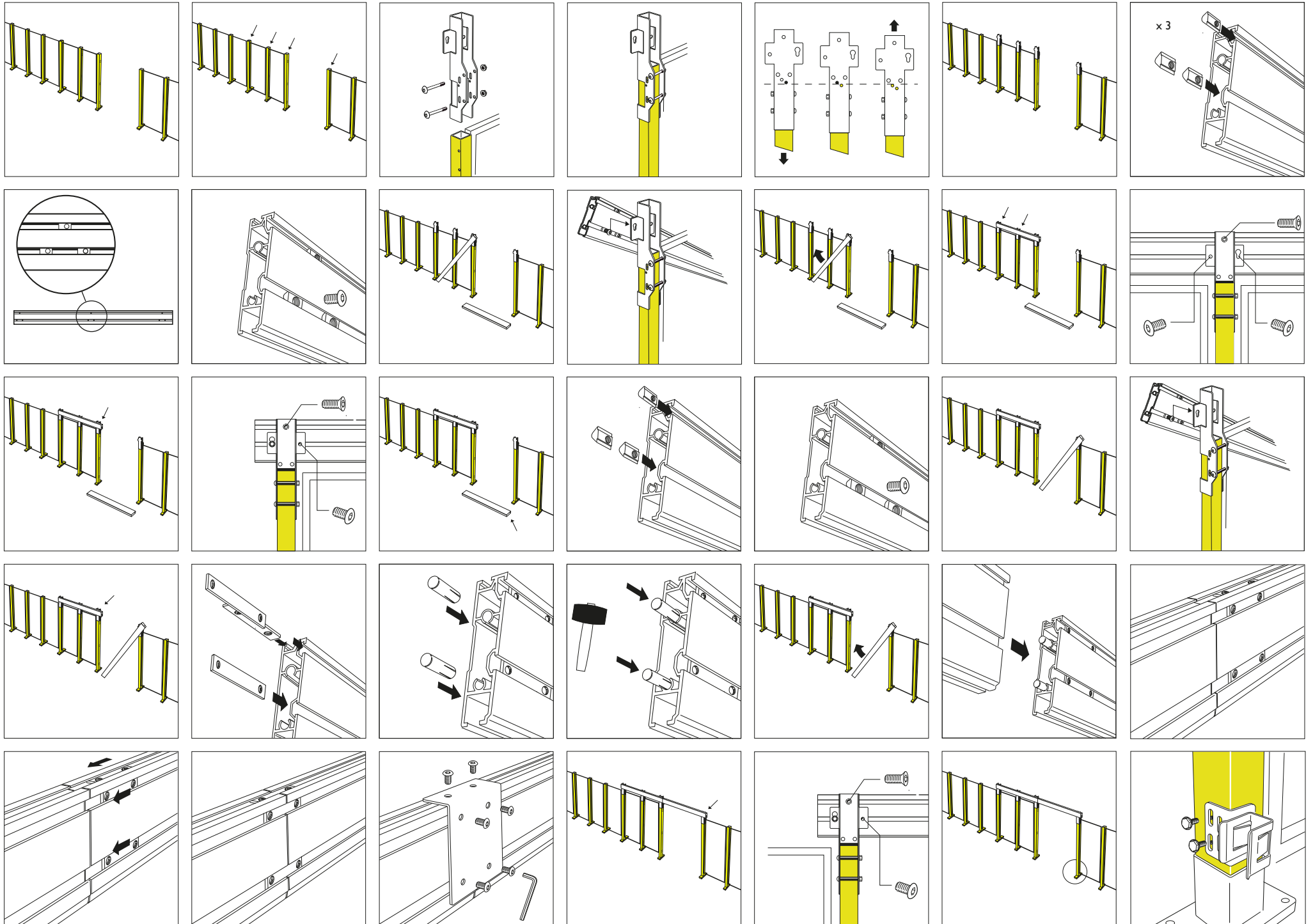
331-220-000 x 1	 x 1 A
---------------------------	--

G2741 x 4	 x 1 A
---------------------	--

B20-2K x 2	 x 1 A
----------------------	--

G2384 x 2	 x 1 A
---------------------	--

AXELENT X-GUARD D40-XXX220A



AXELENT X-GUARD D40-XXX220A

