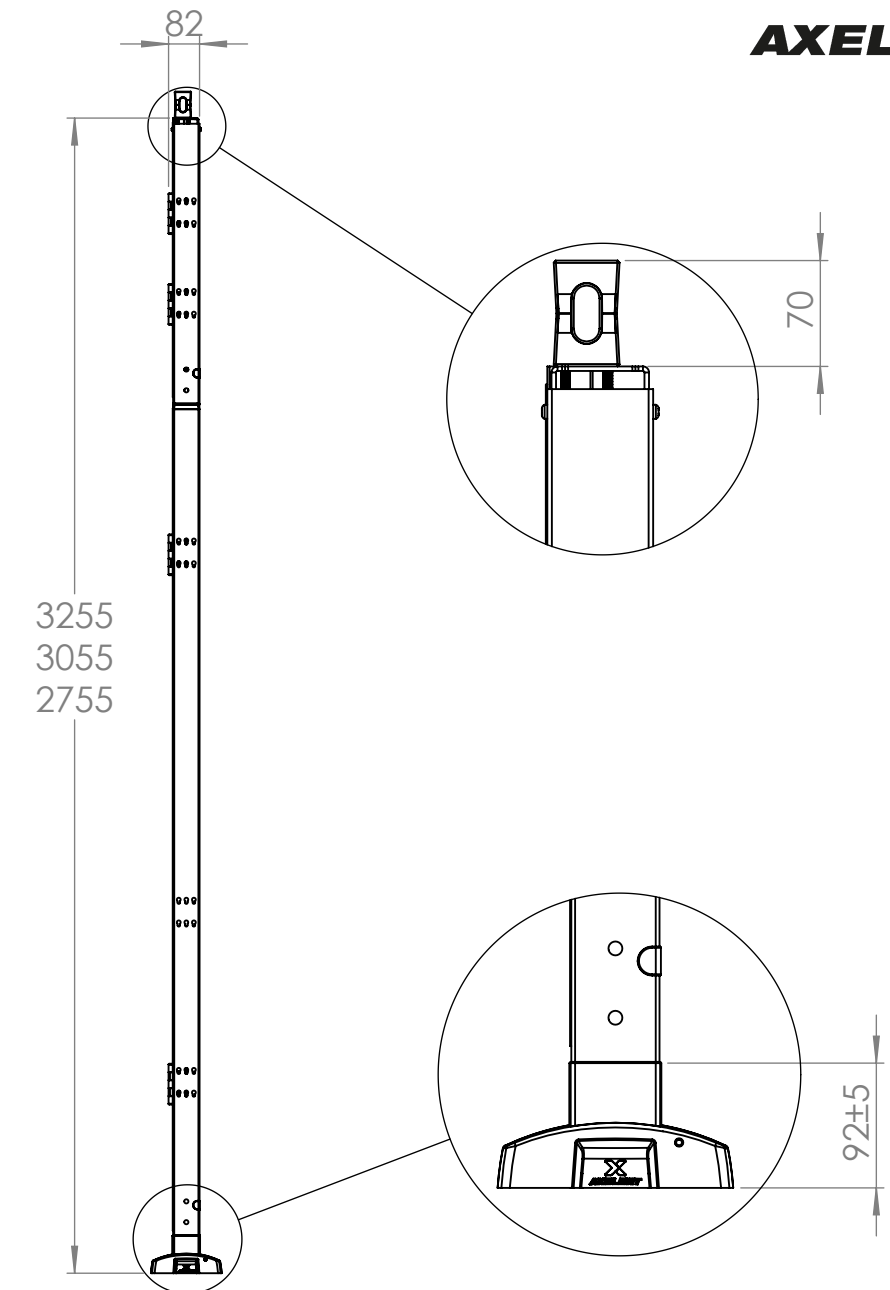
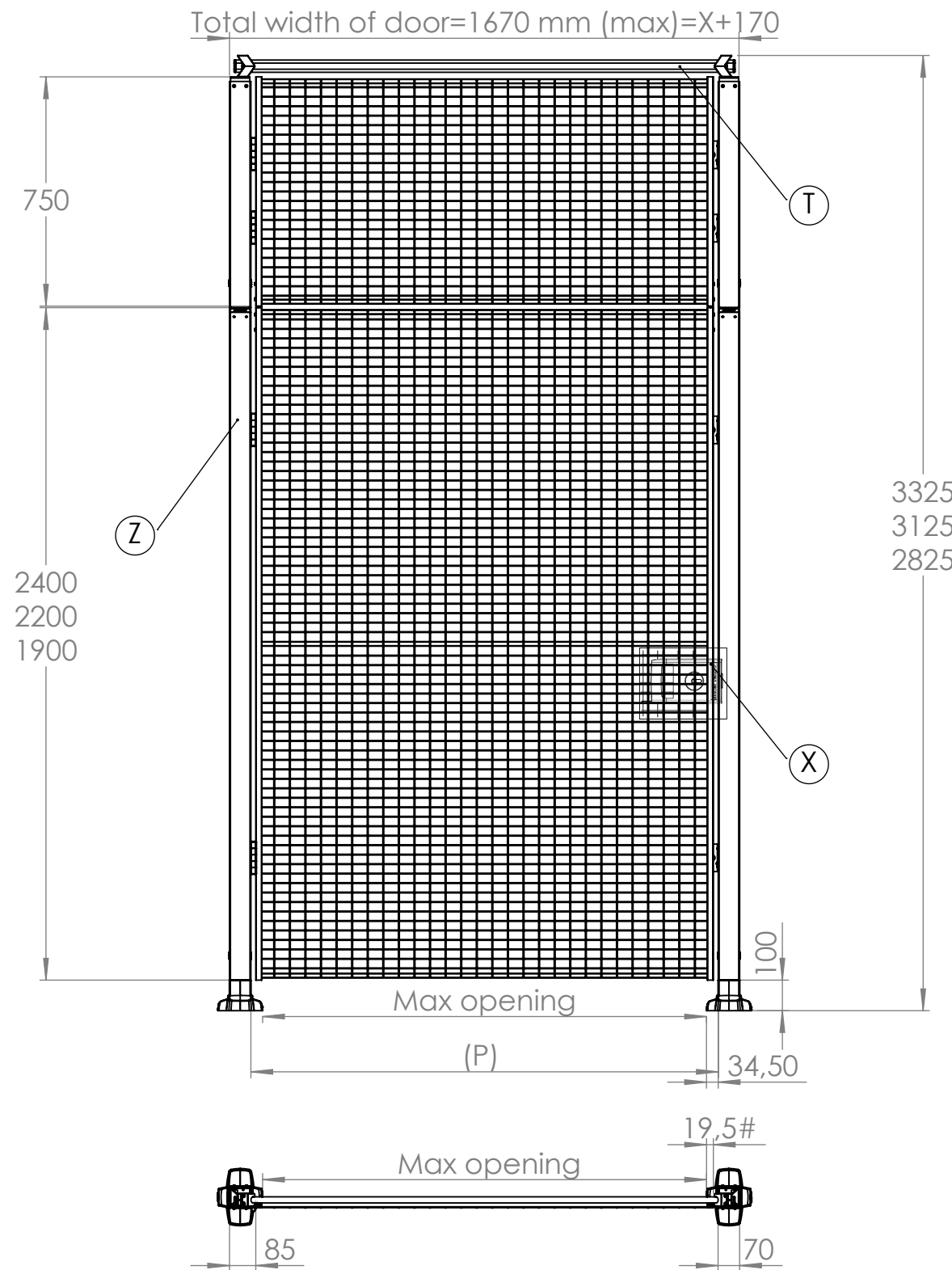


D30-XXX150B

Door type: *door panel width mm (X), max opening mm*

D30-XXX150B: 250 - 1500 mm, 200,5 - 1450,5 mm

XXX= Height on posts



Max opening = X (panel width) - 49,5 mm (49,5 mm= 19,5 + 30 mm))
(P) Post to post opening = X (panel width) + 30 mm** (**= space between panel in closed position and posts (30 mm= 15 + 15))
19,5#= Dimension in door closed position (overlapping of panel and cover lower)
Max opening is affected by "A" mm with lock (without door accessories*)

Item No.	Art No.	Qty. (+x)=extension
X	322-XXXXXX	1 (+1)
T	D3K-XXX	1
Z	P13-XXX	2

Locks	A (lock to post)
L20-05-0 (Snap lock)	-
L20-05-2 (Hitch lock)	-
XIT-L/R01-301 (Cylinder lock)	-
XIT-L/R14-301 (Slam shut)	-
XIT-L/R09-301 (Electric)	-
L66-20/21-L/R (X-lock)	-
B-135 (MGB)	-
B-136 (MGB Escape Release)	-