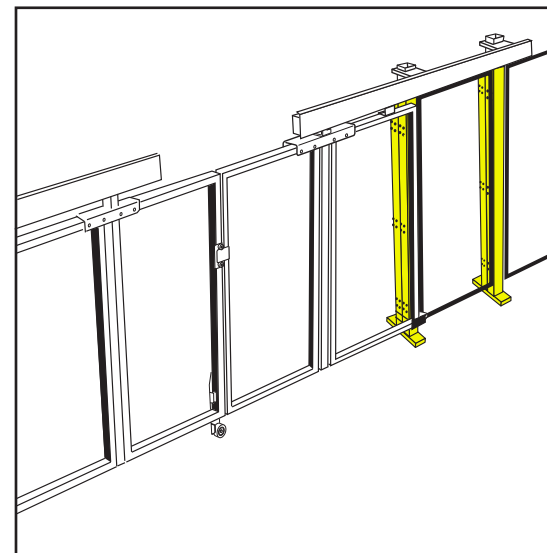

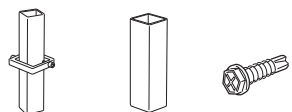
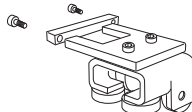
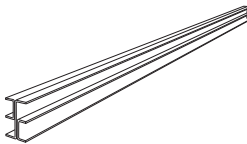



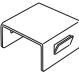
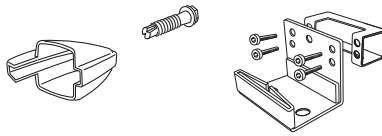

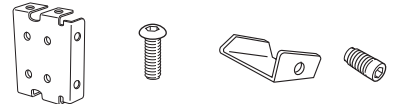
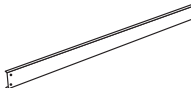
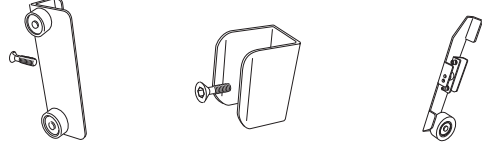


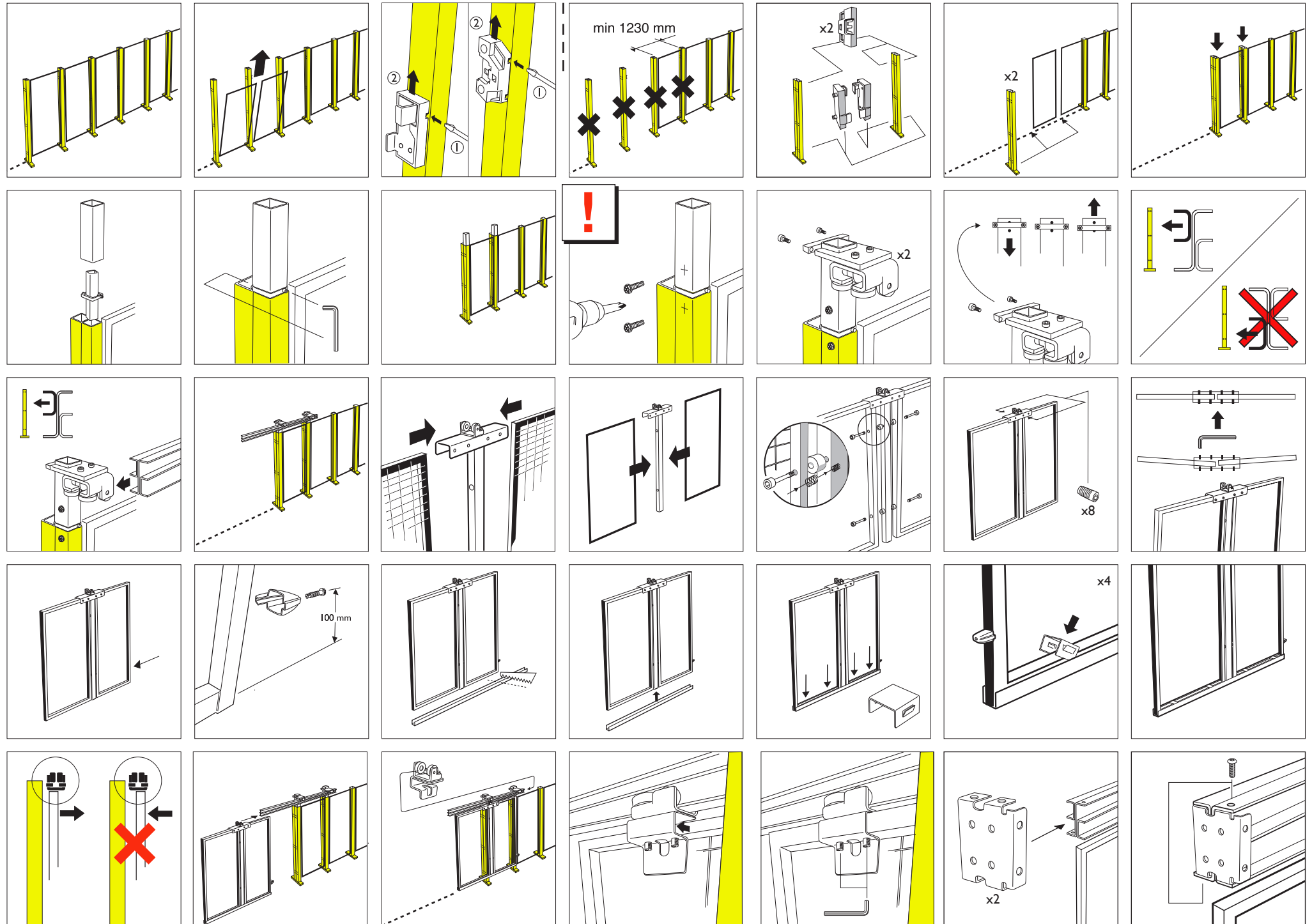
AXELENT X-GUARD D27-XXX600



20110418

 <p>B26-5A x 2</p>	 <p>x 2 A x 2 B x 4 C</p>	<p>B26-5B x 2</p>	 <p>x 2 A</p>		
<p>D3T1-300 x 2</p>	 <p>x 1 A</p>	<p>D3T2-220 x 2</p>	 <p>x 1 A</p>		
<p>B26-5C x 2</p>	 <p>x 4 A x 4 B x 8 C</p>	<p>D3U2-310 x 2</p>	 <p>x 1 A</p>	<p>G2741 x 8</p>	 <p>x 1 A</p>
<p>B20-2B x 2</p>	 <p>x 1 A x 1 B x 1 C</p>	<p>B26-5D x 2</p>	 <p>x 1 A</p>	<p>B26-5E x 2</p>	 <p>x 2 A x 8 B x 1 C x 1 D</p>
<p>D3T0-300 x 2</p>	 <p>x 1 A</p>	<p>B26-5G x 1</p>	 <p>x 2 A x 2 B x 1 C</p>		

AXELENT X-GUARD D27-XXX600



AXELENT X-GUARD D27-XXX600

