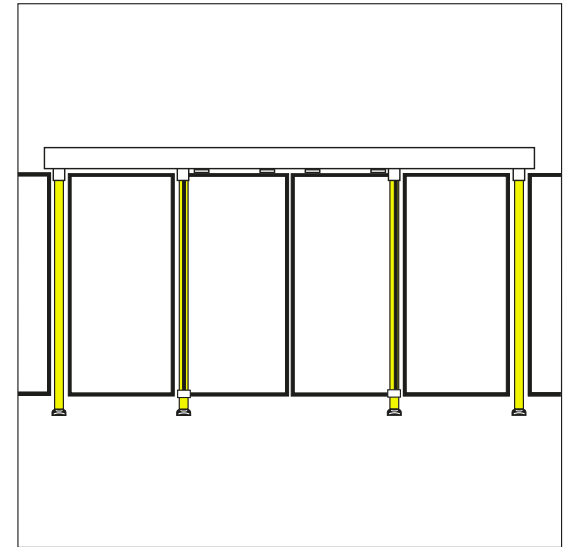
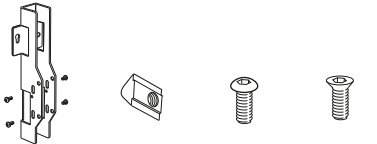
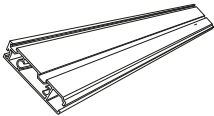
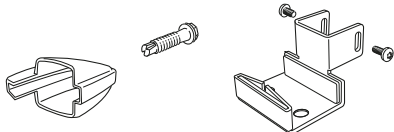
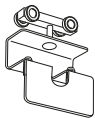
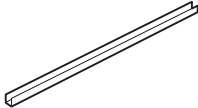
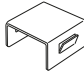
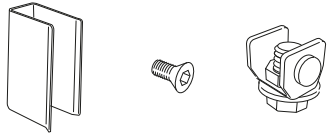



AXELENT X-GUARD D22-XXX290A



20130808



| | | | | | |
|------------------------------|--|--------------------------|---|------------------------------|---|
| <p>B20-2F x 4</p> |  <p>x 1A x 3B x 2C x 1D</p> | <p>G2382-620 x 1</p> |  <p>x 1A</p> | <p>B20-2B x 1</p> |  <p>x 1A x 1B x 1C</p> |
| <p>B20-2K x 4</p> |  <p>x 1A</p> | <p>D3U2-150 x 2</p> |  <p>x 1A</p> | <p>G2741 x 4</p> |  <p>x 1A</p> |
| <p>B20-2H x 1</p> |  <p>x 1A x 1B x 4C</p> | <p>G2384 x 2</p> |  <p>x 1A</p> | | |

AXELENT X-GUARD D22-XXX290A

