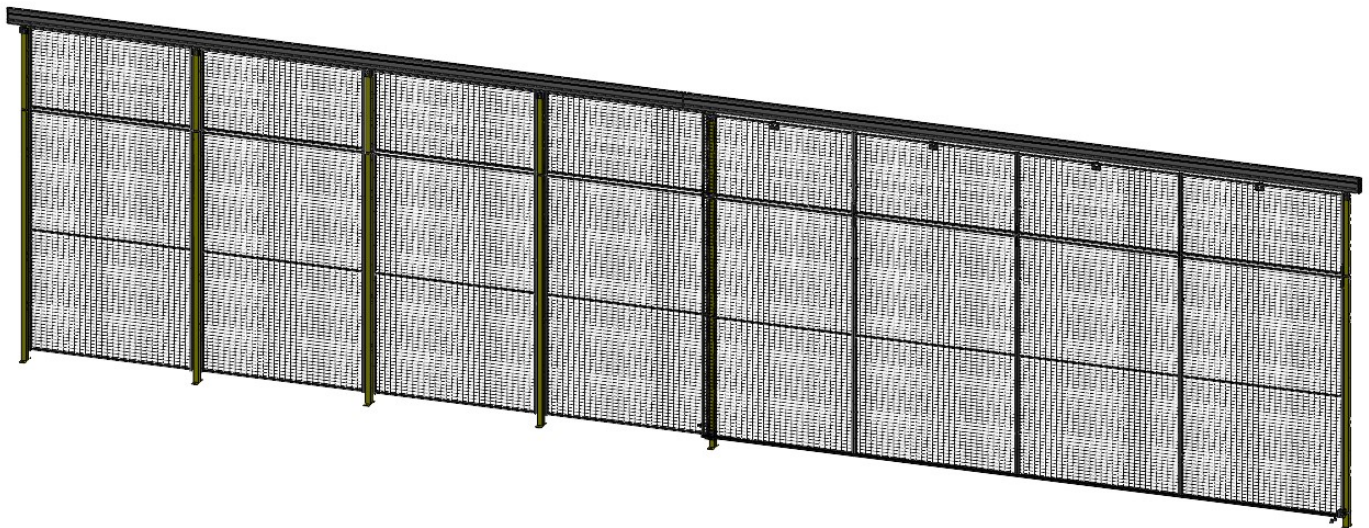


D20-XXX570B

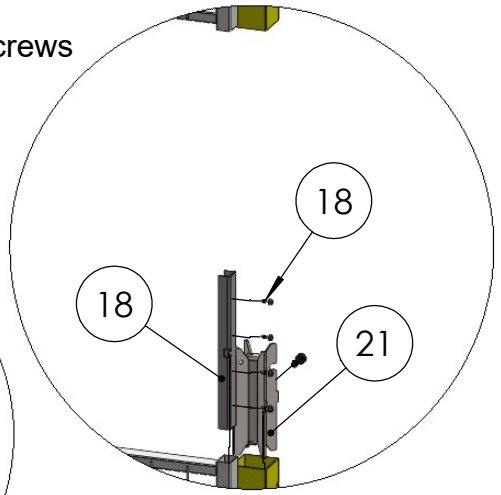
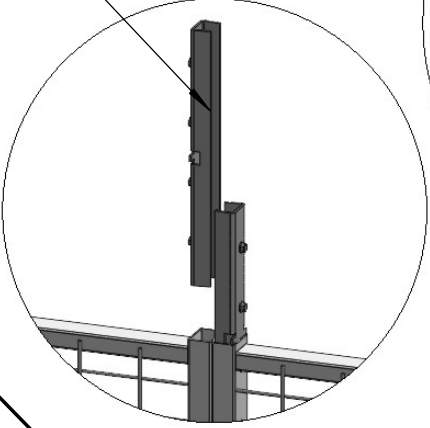
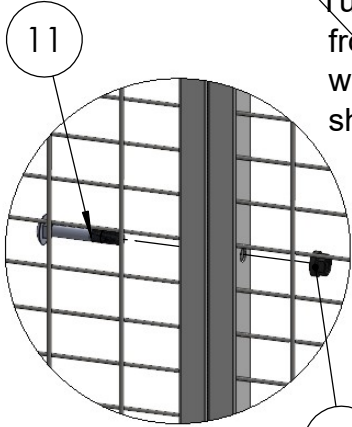


ITEM NO.	ART NUMBER	QTY.
1	P01-XXX(Not included)	6
2	P01-XXX(Not included)	6
3	G2382-620	2
4	B20-2J	1
5	B20-2C	1
6	B20-2B	1
7	022-XXXXXX(Not included)	1
8	022-XXXXXX(Not included)	7
9	022-XXXXXX(Not included)	7
10	022-XXXXXX(Not included)	1
11	B20-2E	6
12	B20-2R	1
13	D6U2-600	1
14	G2741	8
15	B20-2K	4
16	G2384	2
18	B00-010	4
19	B20-2S	1
20	B20-4F	6
21	B00-041(Not included)	6



Date: 2018-02-22	Version C.2	Axelent AB BOX 1 · KÄVSJÖVÄGEN 17 SE-330 33 · HILLERSTORP SWEDEN TEL +46 (0)370-37 37 30 INFO@AXELEN.SE AXELEN.COM	BG инструкции за монтаж	JP 組立説明書
	C-number (for internal use) C-0004607-01		CZ Montážní návod	LT Montavimo instrukcijos
			DE Montageanleitungen	LV Montāžas instrukcijas
			DK Monteringsvejledning	MT Istruzzjonijiet għall-immuntar
			EE Paigaldusjuhendid	NL Montage-instructies
			ES Instrucciones de montaje	PL Instrukcje składowania
			FI Kokoamisohje	PT Instruções de montagem
			FR Les instructions d'assemblage	RO Instrucțiunile de asamblare
			GR οδηγίες συναρμολόγησης	SE Monteringsanvisningar
			HU Összeszerelési utasítások	SI Navodila za montažo
			IE Treoracha cóimeála	SK Návod na montáž
			IT Istruzioni di montaggio	UK Assembly guide

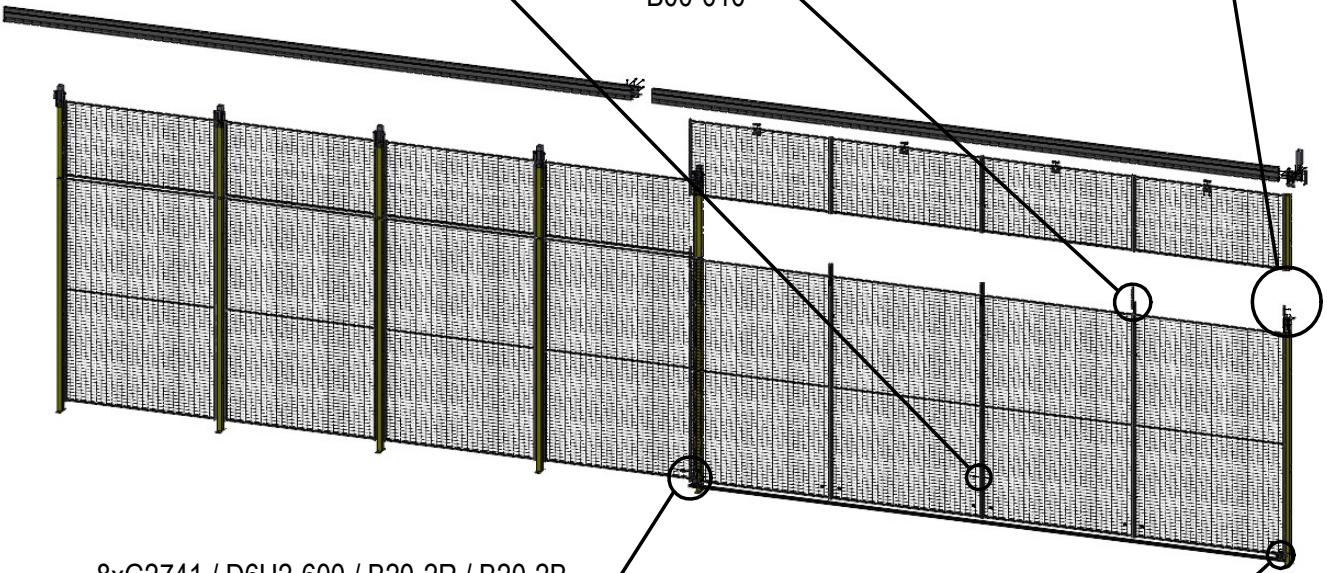
Turn B00-010 so you insert the screws from the inside of the panel, when the panels should be mate together.



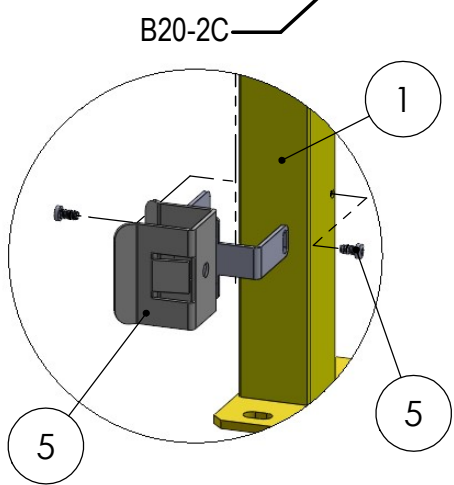
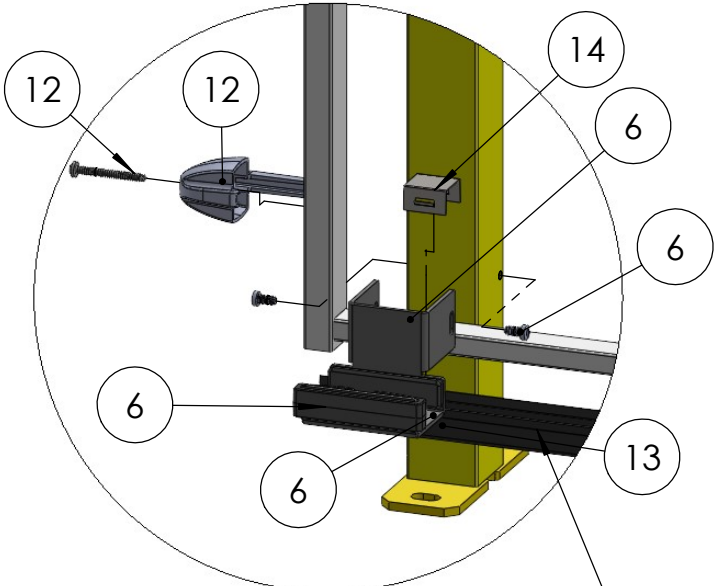
5xB20-2E

4xB00-010 / B00-041

B00-010

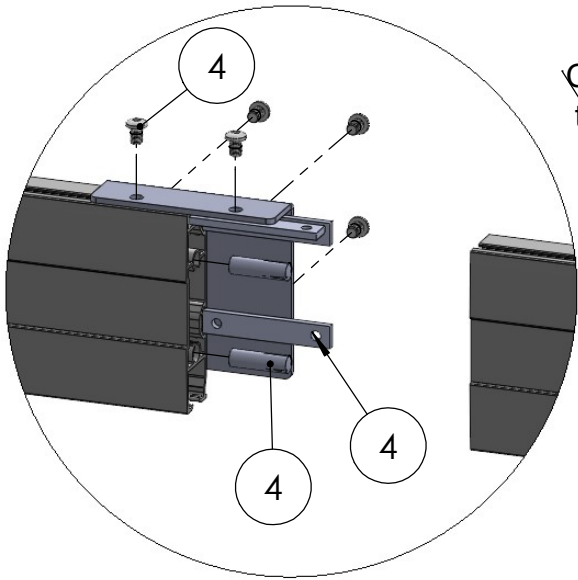


8xG2741 / D6U2-600 / B20-2R / B20-2B

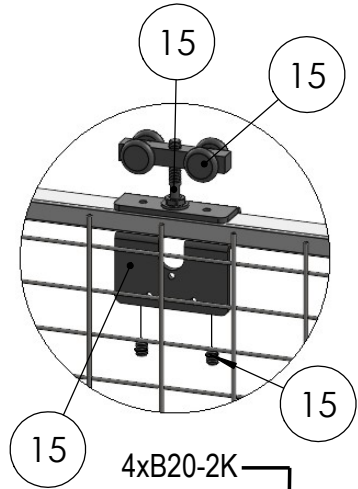


D6U2-600



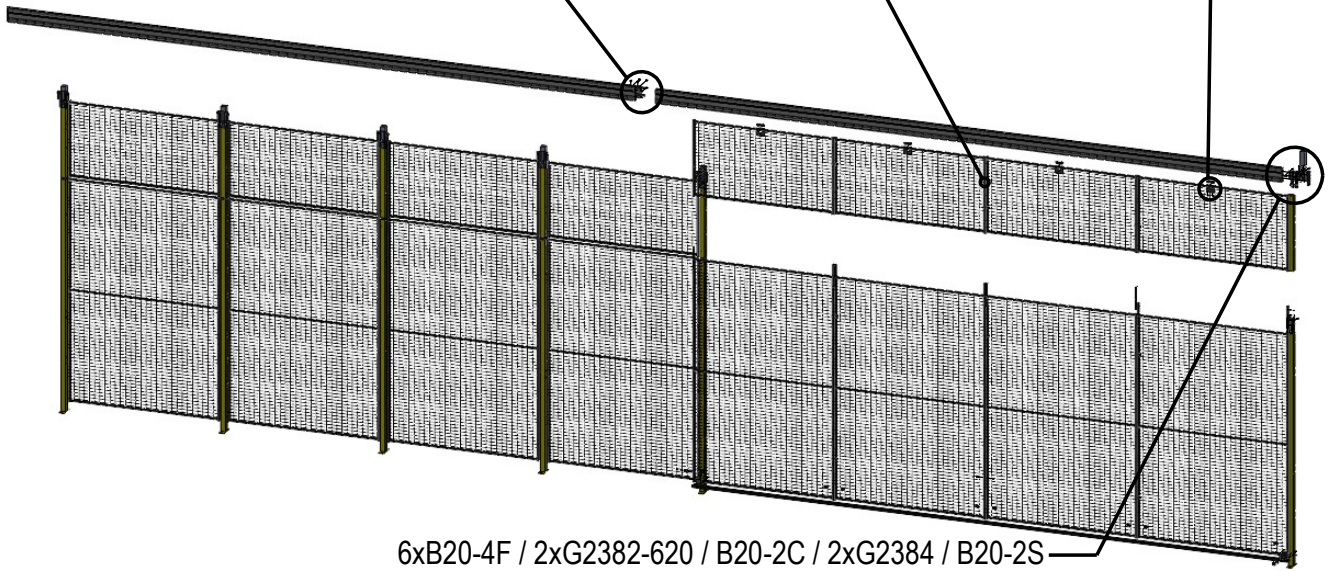


Clean the holes by a 10 mm drill to easier insert B20-2E in the 750 mm panel.



2xG2382-620/ B20-2J

4xB20-2K



6xB20-4F / 2xG2382-620 / B20-2C / 2xG2384 / B20-2S

