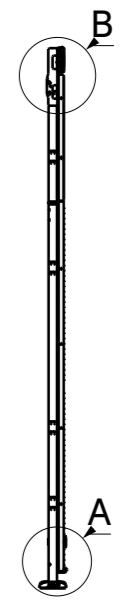
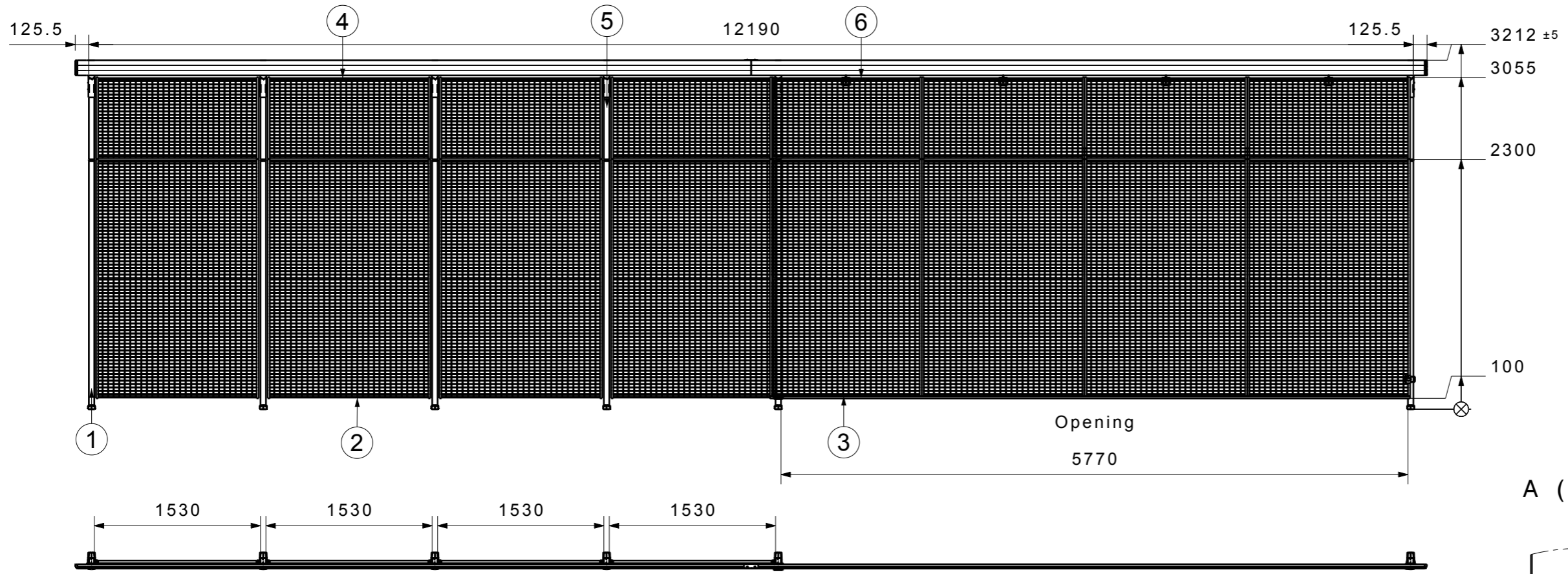
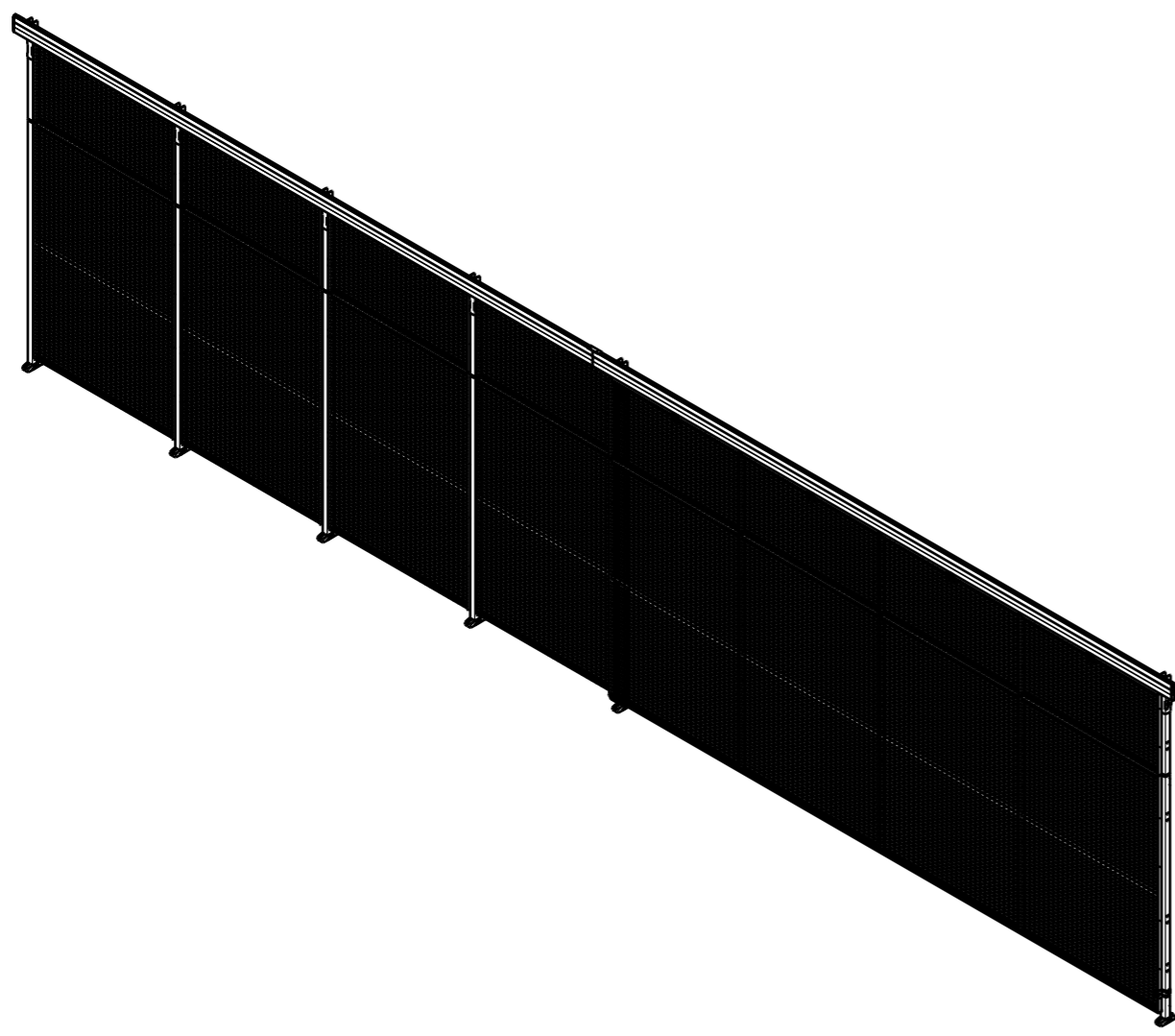
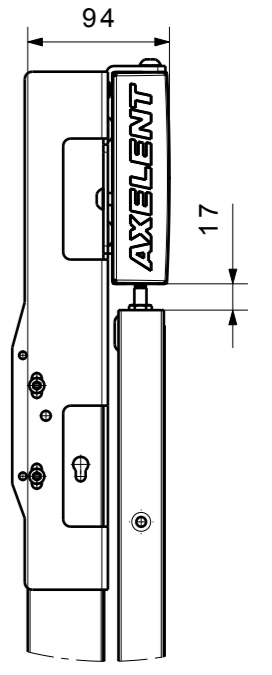
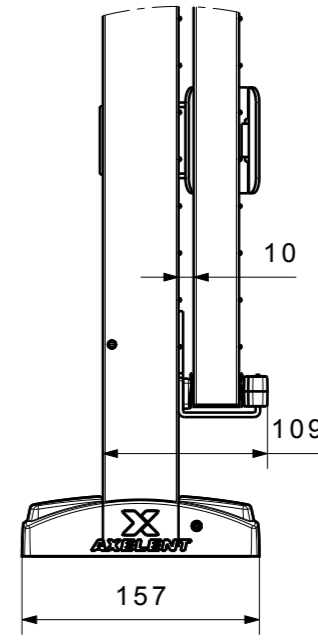


H G F E D C B A



A (1:5)

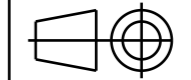
B (1:5)



Item No.	Name	Quantity
1	P11-230	6
2	322-220150	7
3	322-220140	1
4	322-075150	7
5	E11-075	6
6	322-075140	1



Title  
**D20-XXX570B**



Scale 1:45	Rev. A	Date 4/23/2013
---------------	-----------	-------------------

H G B A