

H G F E D C B A

4

3

2

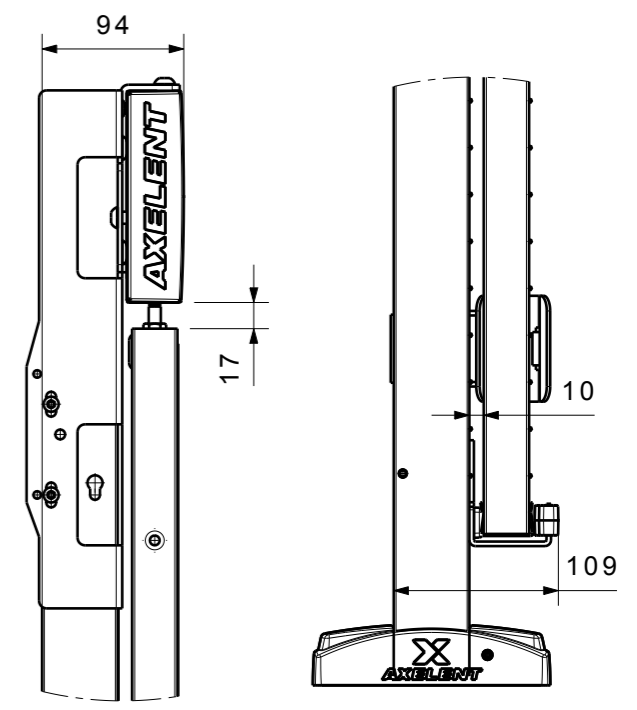
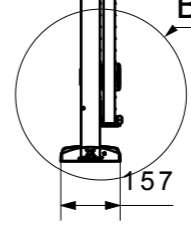
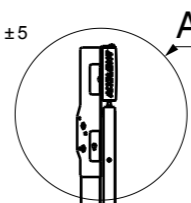
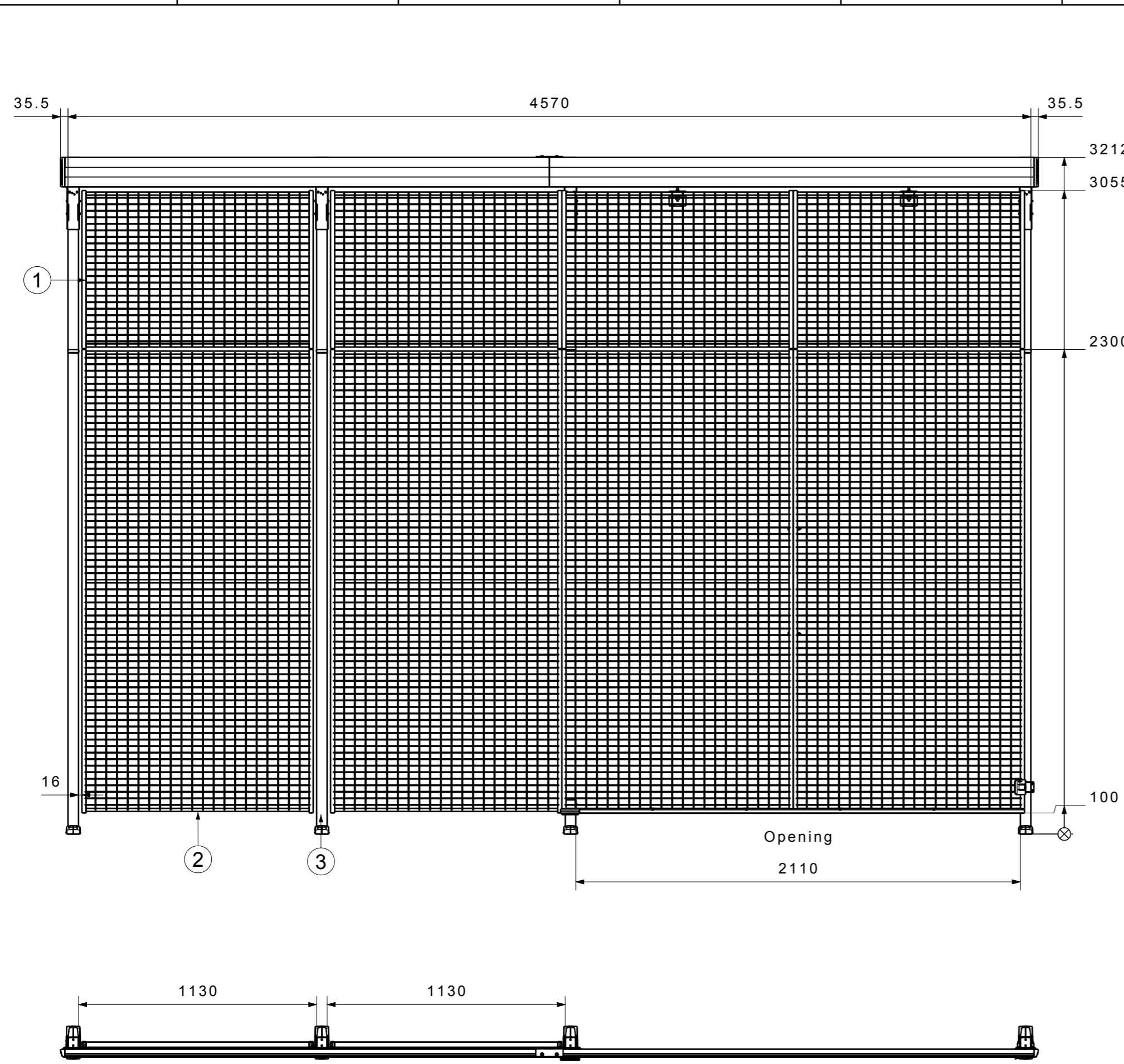
1

4

3

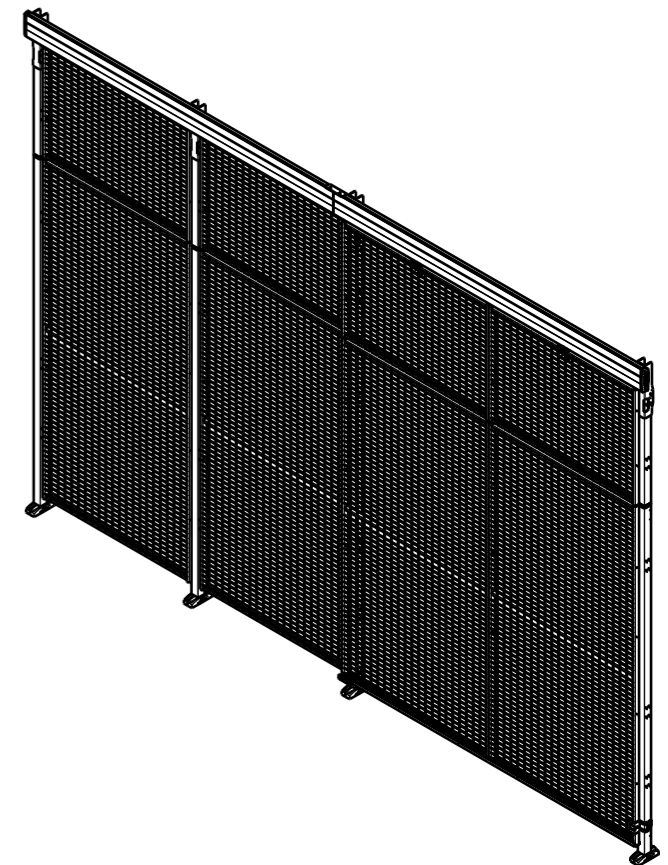
2

1



A (1:5)

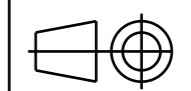
B (1:5)



Item No.	Name	Quantity
1	322-075110	4
2	322-220110	4
3	P11-230	4



Title  
**D20-XXX220B**



Scale  
1:20

Rev.  
--A

Date  
3/4/2013

H G B A