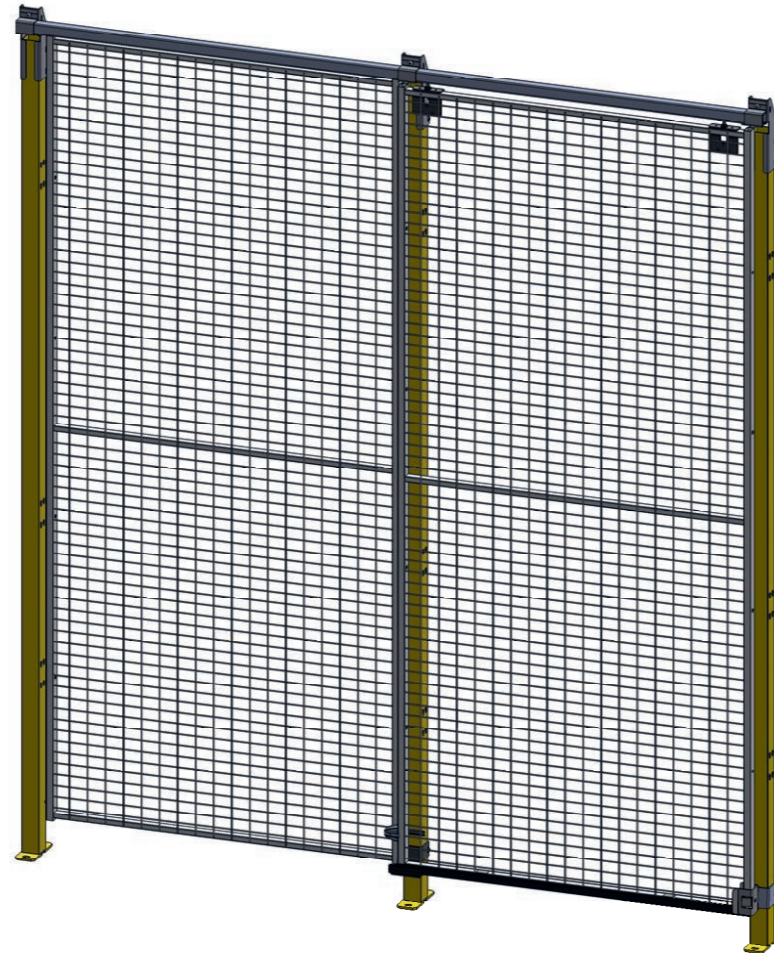


D20-XXX100A

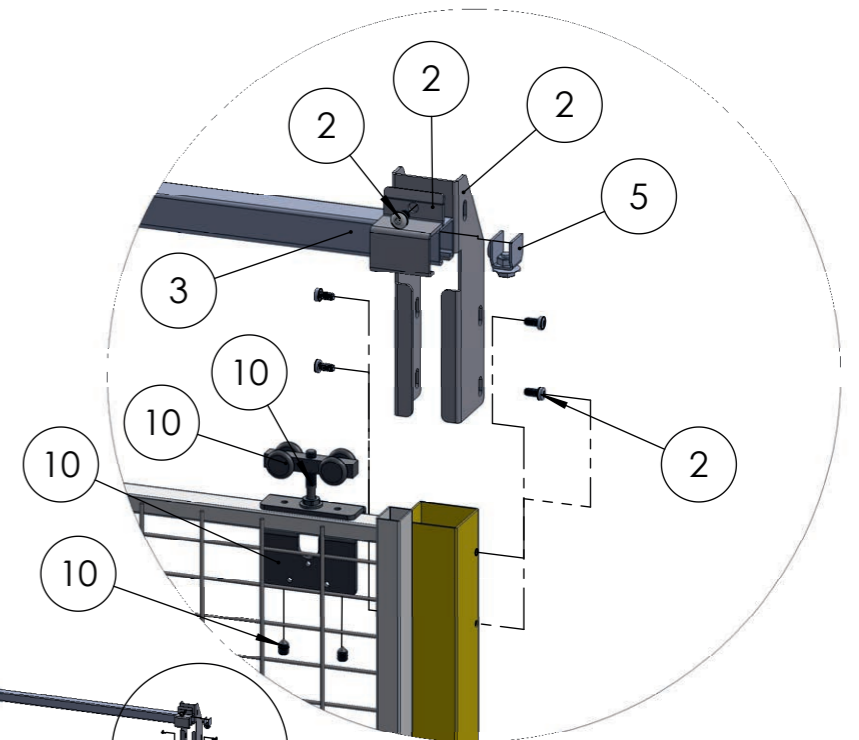
Product description



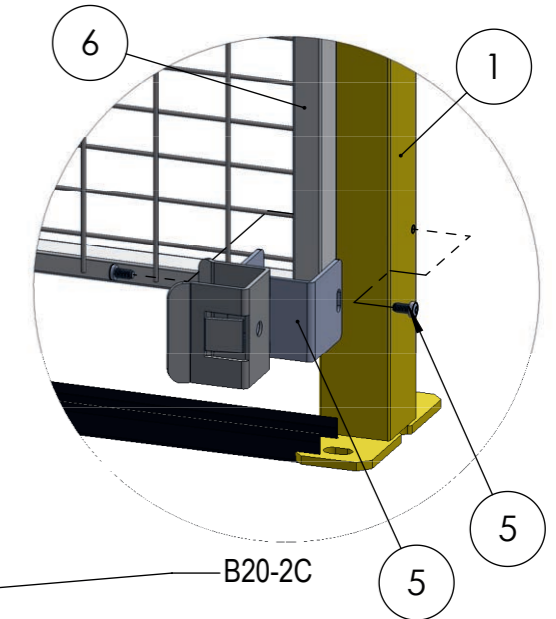
ITEM NO.	PART NUMBER	QTY.
1	P01-XXX(Not included)	3
2	B20-2A	3
3	D3U1-230	1
4	B20-2B	1
5	B20-2C	1
6	022-220100(Not included)	2
7	B20-2R	1
8	D3U2-150	1
9	G2741	2
10	B20-2K	2



Cut D3U1-230 to a length that is equal to the outer distance between the outer posts.



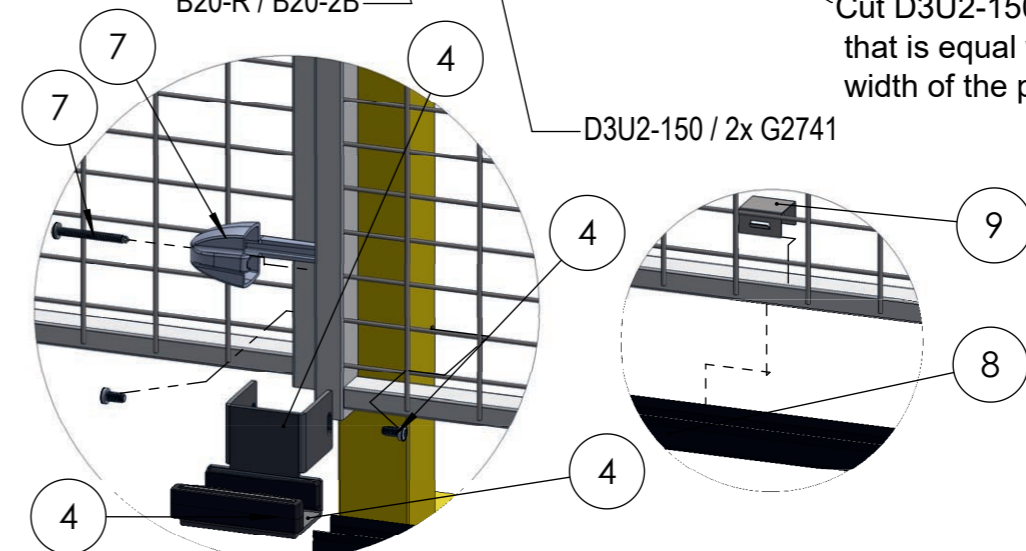
D3U1-230 / 3xB20-2A / 2xB20-2K / B20-2C



B20-2C

B20-R / B20-2B

Cut D3U2-150 to a length that is equal with the width of the panel.



D3U2-150 / 2x G2741

Date: 2018-01-09	Version A.8	<p>Axelent AB</p> <p>BOX 1 · KÄVSJÖVÄGEN 17 SE-330 33 · HILLERSTORP SWEDEN</p> <p>TEL +46 (0)370-37 37 30 INFO@AXELENT.SE AXELENT.COM</p>	<p>BG инструкции за монтаж</p> <p>CZ Montážní návod</p> <p>DE Montageanleitungen</p> <p>DK Monteringsvejledning</p> <p>EE Paigaldusjuhendid</p> <p>ES Instrucciones de montaje</p> <p>FI Kokoamisohje</p> <p>FR Les instructions d'assemblage</p> <p>GR οδηγίες συναρμολόγησης</p> <p>HU Összeszerelési utasítások</p> <p>IE Treoracha cóimeála</p> <p>IT Istruzioni di montaggio</p>	<p>JP 組立説明書</p> <p>LT Montavimo instrukcijos</p> <p>LV Montāžas instrukcijas</p> <p>MT Istruzzjonijiet għall-immuntar</p> <p>NL Montage-instructies</p> <p>PL Instrukcja składowania</p> <p>PT Instruções de montagem</p> <p>RO Instrucțiunile de asamblare</p> <p>SE Monteringsanvisningar</p> <p>SI Navodila za montažo</p> <p>SK Návod na montáž</p> <p>UK Assembly guide</p>
	C-number (for internal use) C-0004415-01			