

H G F E D C B A

4

3

2

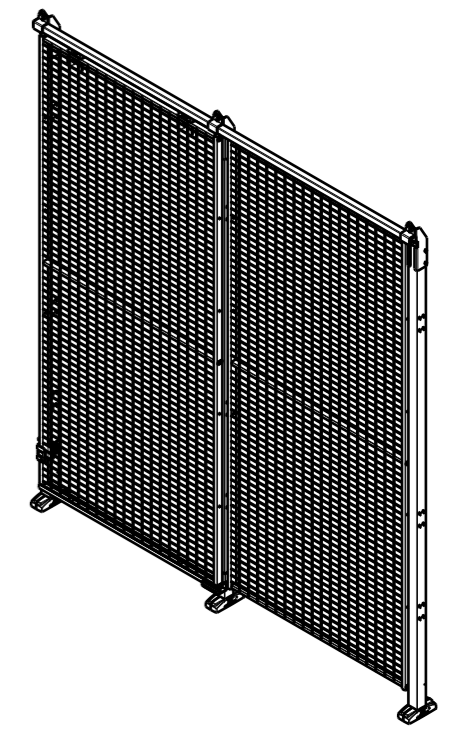
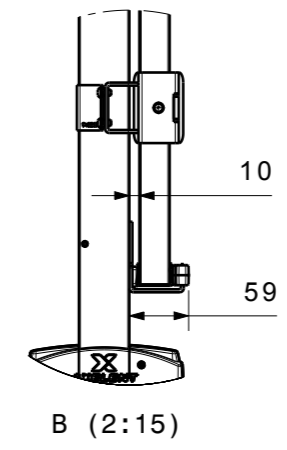
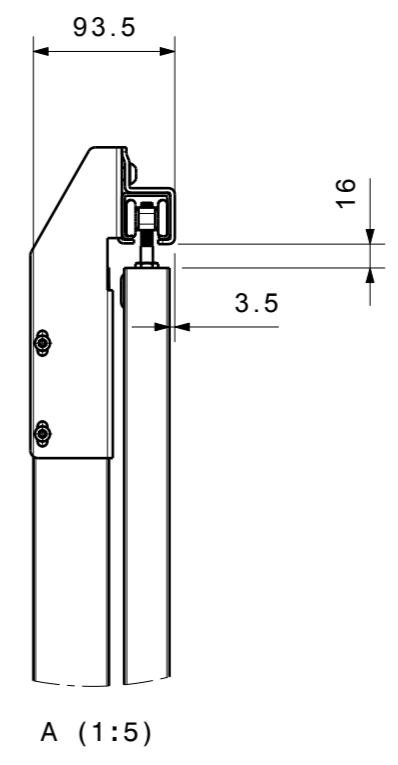
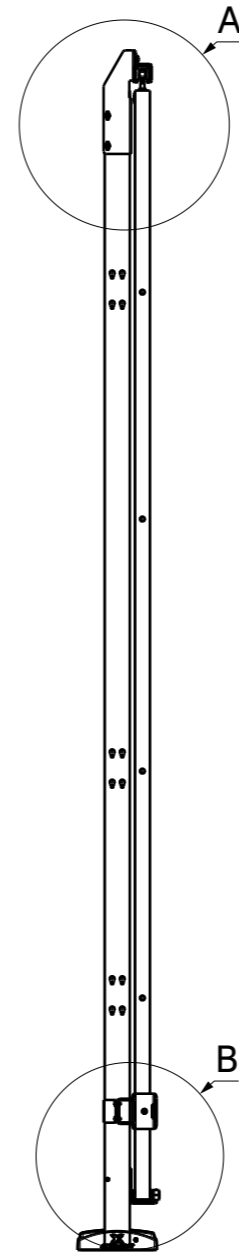
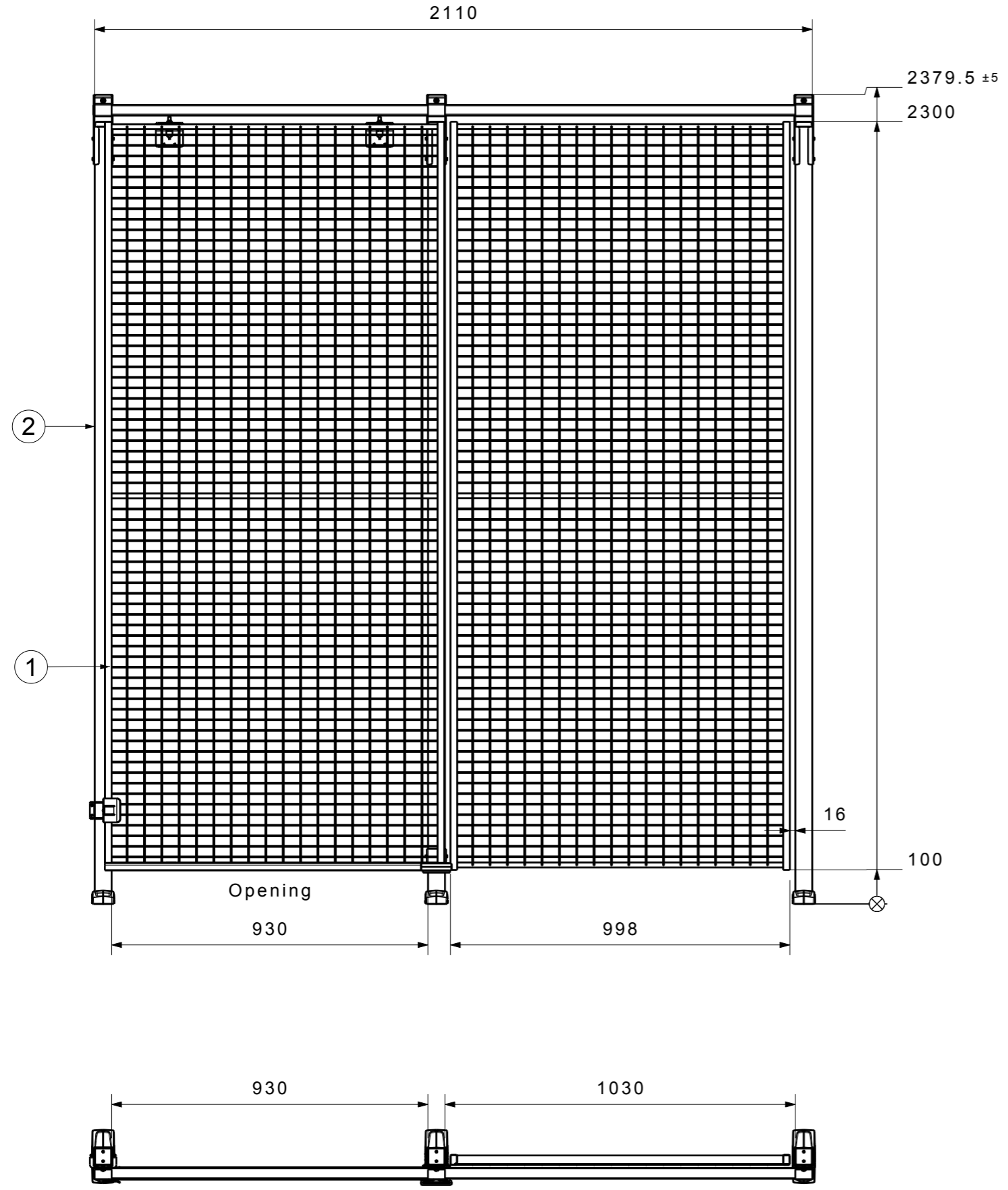
1

4

3

2

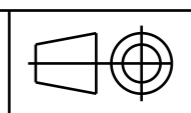
1



Item No.	Name	Quantity
1	322-220100	2
2	P11-230	3

GROVEN  
GAASWANDEN BV

Title  
D20-XXX100A



Scale  
1:15

Rev.  
--A

Date  
4/3/2013

H G B A