

D13-XXX249/565

Door type: door panel width mm (X_{total}), max opening mm

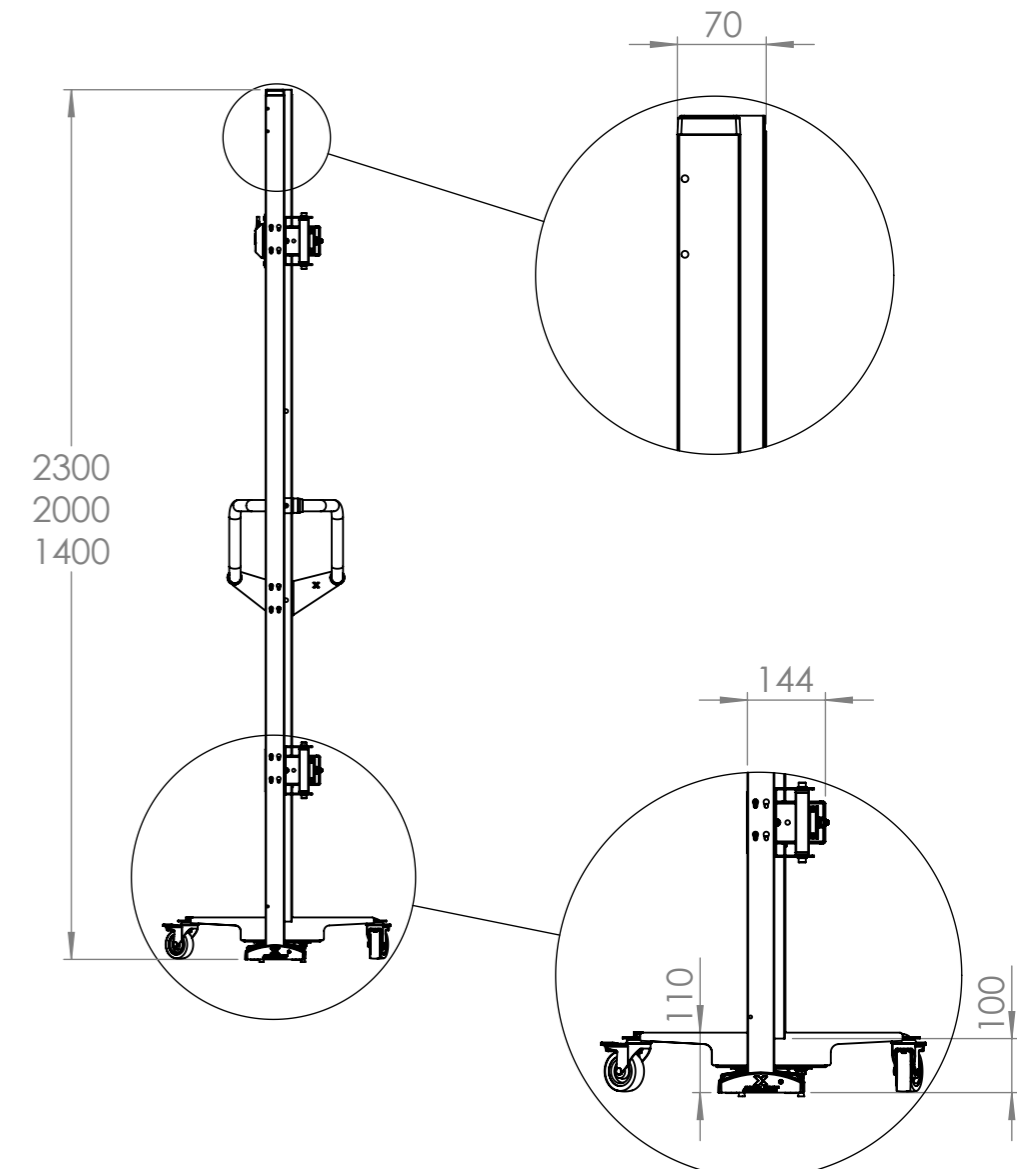
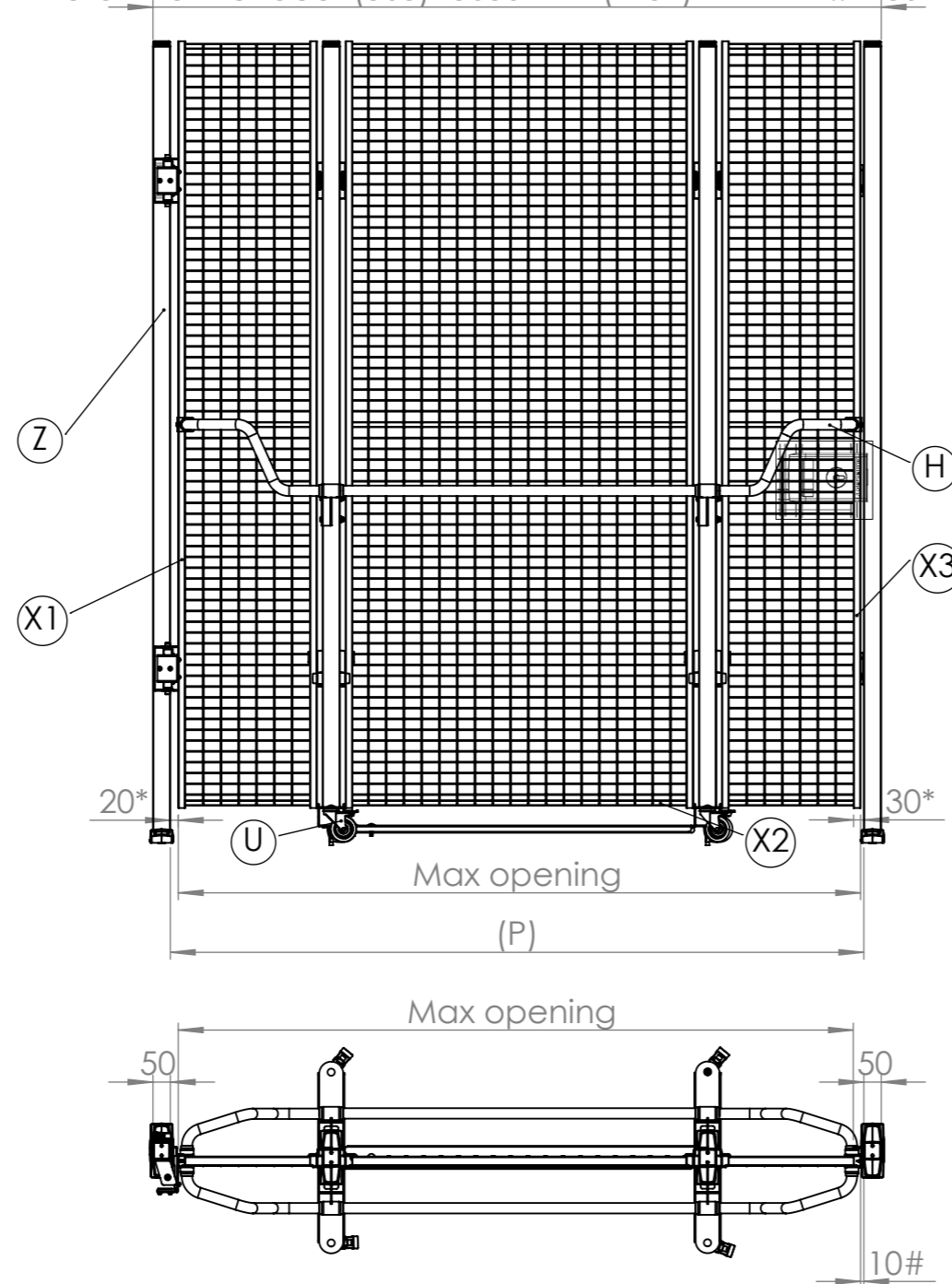
D13-XXX249: 1960 - 2460 mm, 1922 - 2422 mm

D13-XXX565: 3370 - 5620 mm, 3332 - 5582 mm

XXX= Height on posts



Total width of door (249)=2490 mm (max)= $X1+X2+X3+290$
 Total width of door (565)=5650 mm (max)= $X1+X2+...+450$



Max opening = X (total panel width) - 38 mm (38 mm= (door accessories)* mm)
(P) Post to post opening = X (total panel width) + 30 mm** (**= space between panel in closed position and posts (30 mm= 10 + 20))
10#= Dimension in door closed position
Max opening is affected by "A" mm with lock (without door accessories)

Item No.	Art No.	Qty.	
		249	565
X (1,2..)	W322-XXXXXX	3	5
H	B00-052	1	1
U	T01-30	1	2
Z	P11-XXX	4	6

Locks	A (lock to post)
L20-05-0 (Snap lock)	-
L20-05-2 (Hitch lock)	-
XIT-L/R01-301 (Cylinder lock)	-
XIT-L/R14-301 (Slam shut)	-
XIT-L/R09-301 (Electric)	-
L66-20/21-L/R (X-lock)	-
B-135 (MGB)	-
B-136 (MGB Escape Release)	-