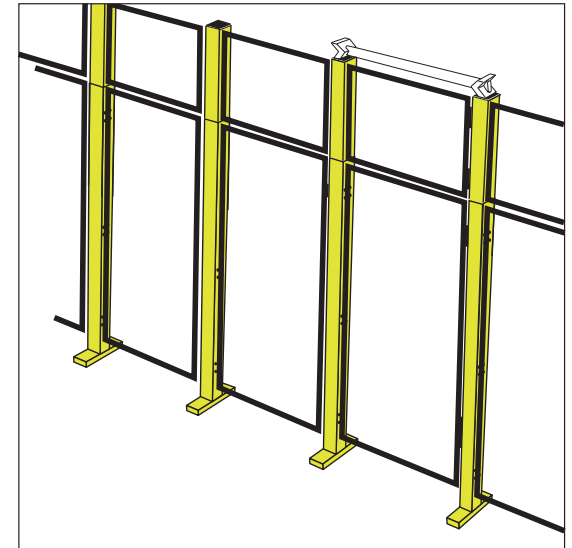
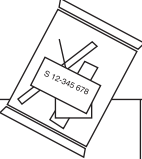
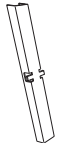

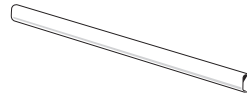


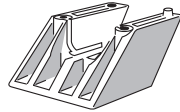




AXELENT X-GUARD D10-XXX150B

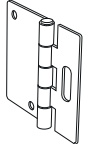




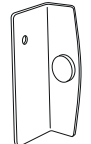

20120705

 B00-010 x 1	 x 2 A  x 1 B
--	---

D3K-1630 x 1	 x 1 A
------------------------	--

B10-1A x 1	 x 4 A	 x 2 B	 x 2 C	 x 2 D	 x 4 E
----------------------	--	--	--	--	--

B10-1B x 2	 x 2 A  x 2 B  x 2 C
----------------------	--

B10-1C x 2	 x 2 A  x 2 B
----------------------	---

