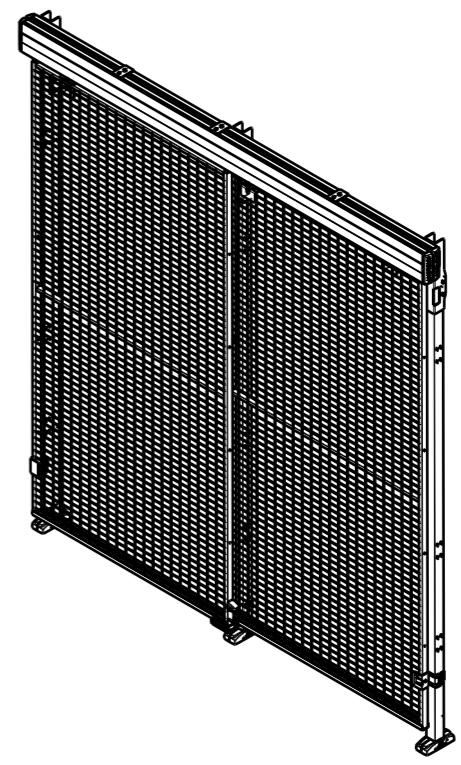
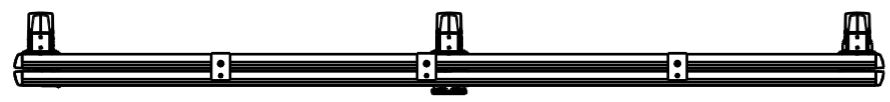
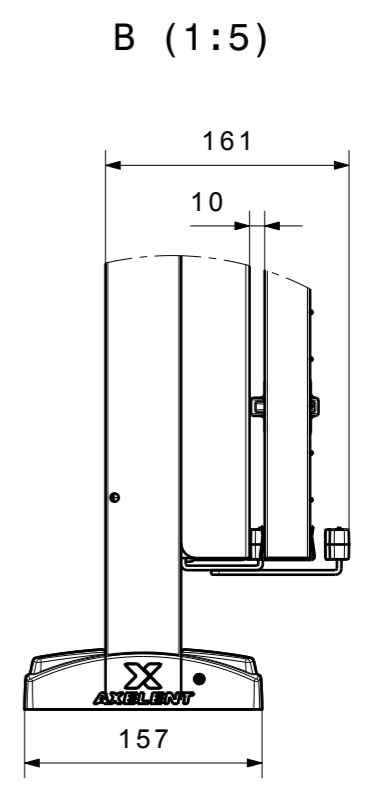
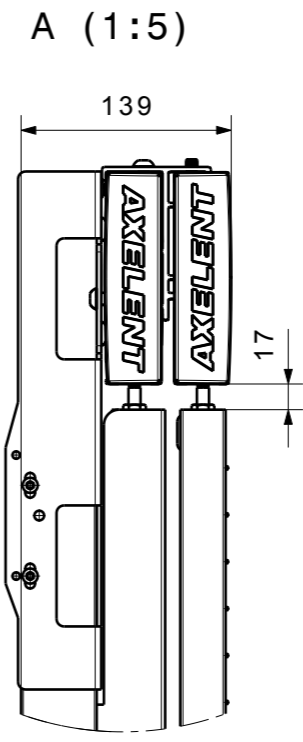
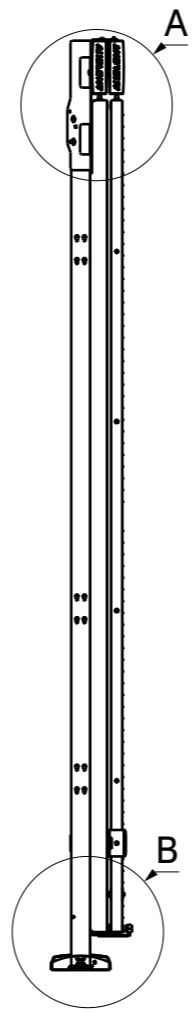
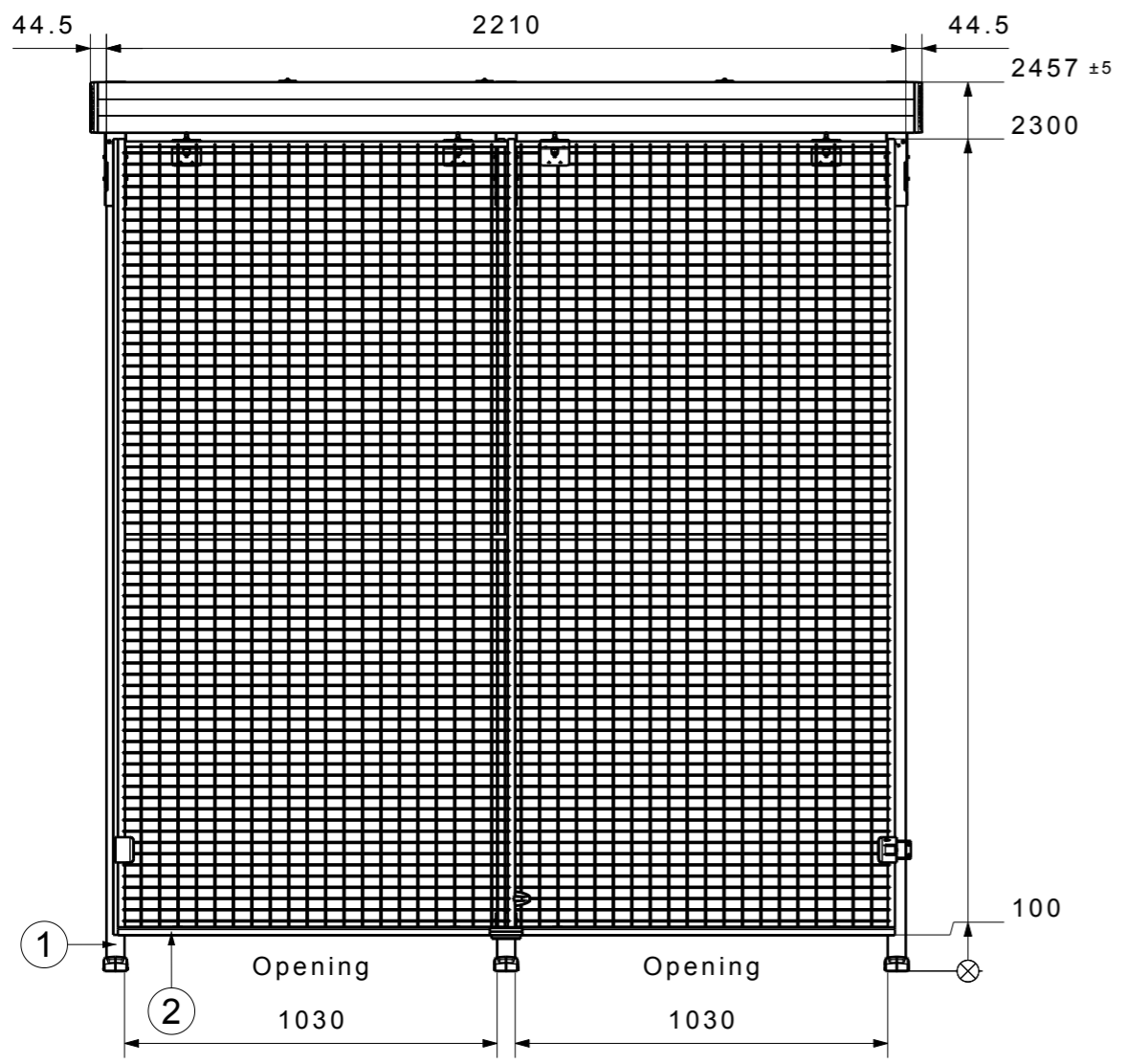


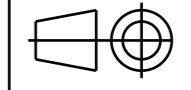
H G F E D C B A



Item No.	Name	Quantity
1	P11-230	3
2	322-220110	2



Title
D24-230140



Scale	Rev.	Date
1:20	--A	4/29/2013

H G B A