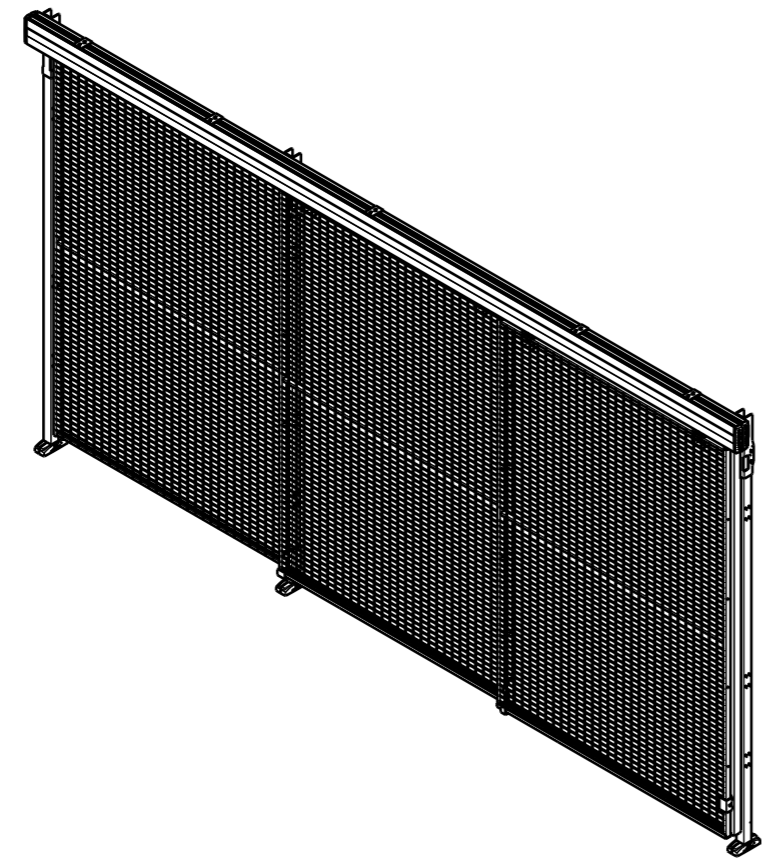
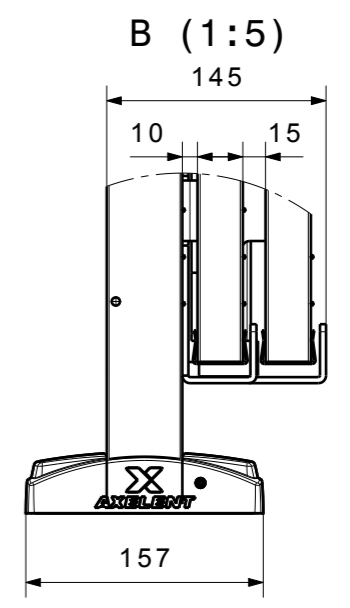
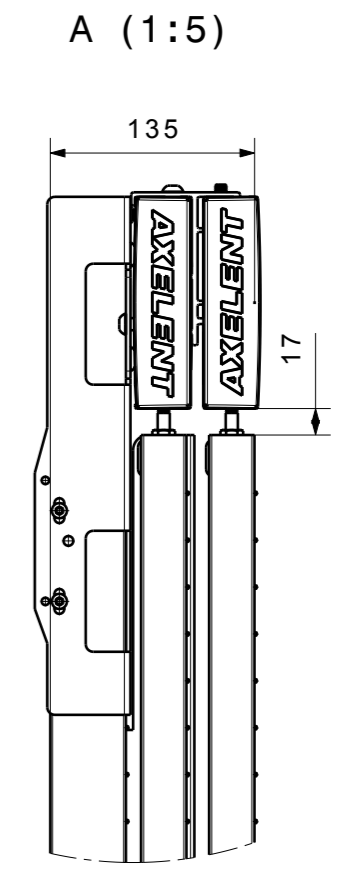
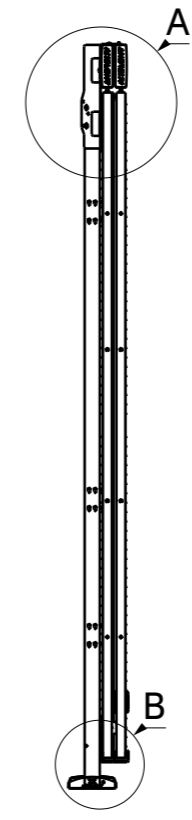
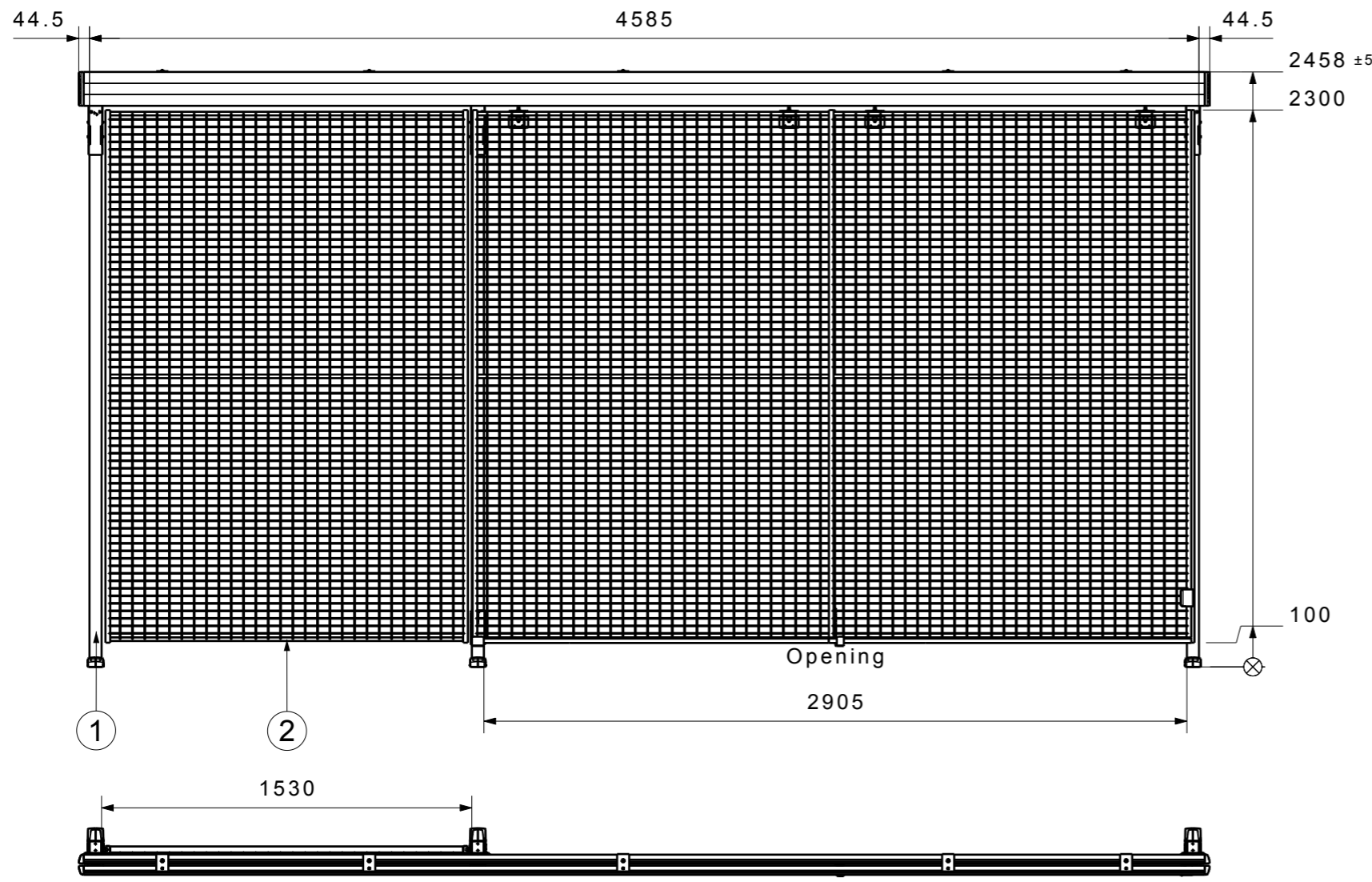



H G F E D C B A



Item No.	Name	Quantity
1	P11-230	3
2	322-220150	3


**AXELEN**

Title: **D23-230300L**

Scale: 1:25 Rev: --A Date: 4/29/2013

H G B A