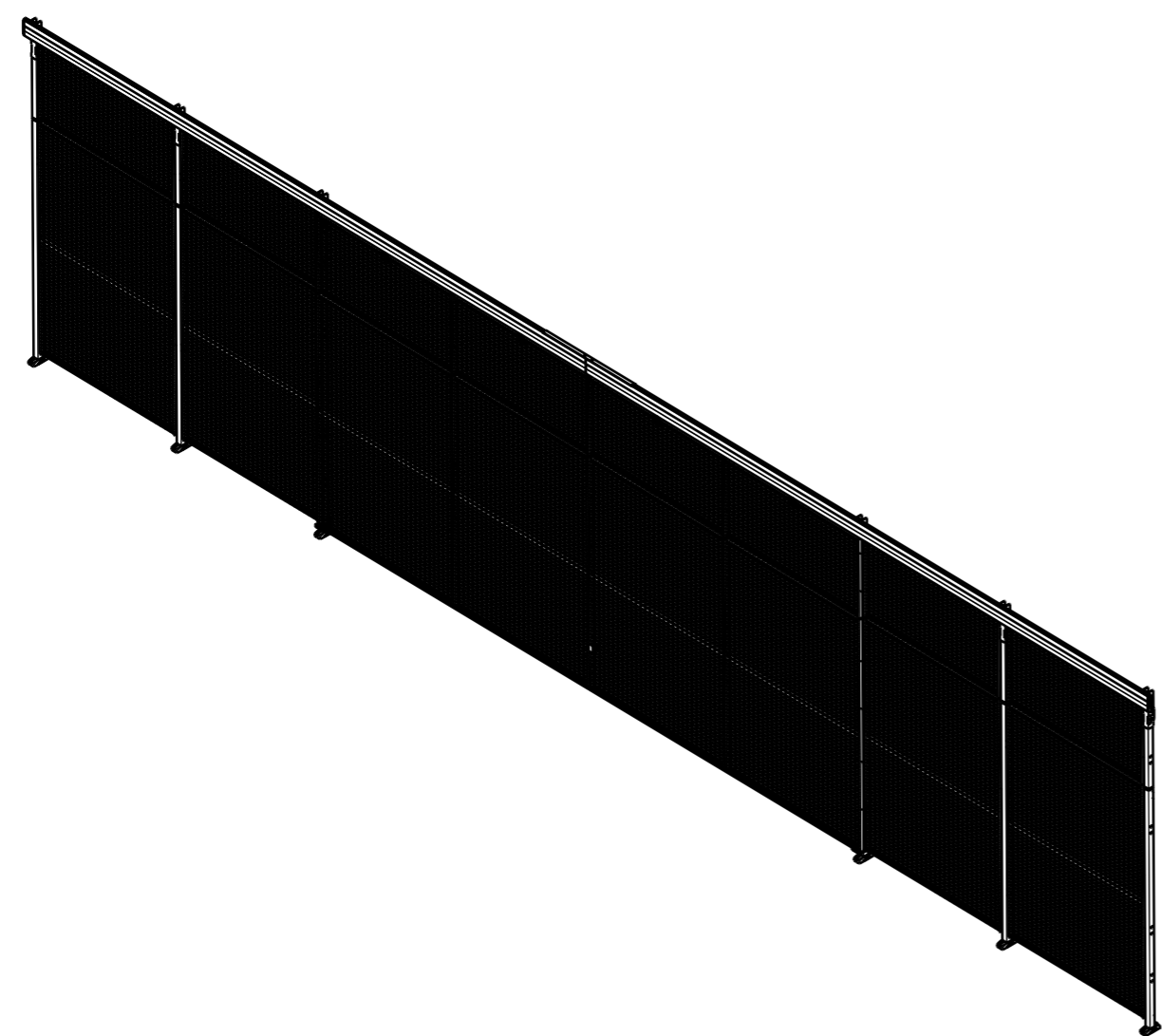
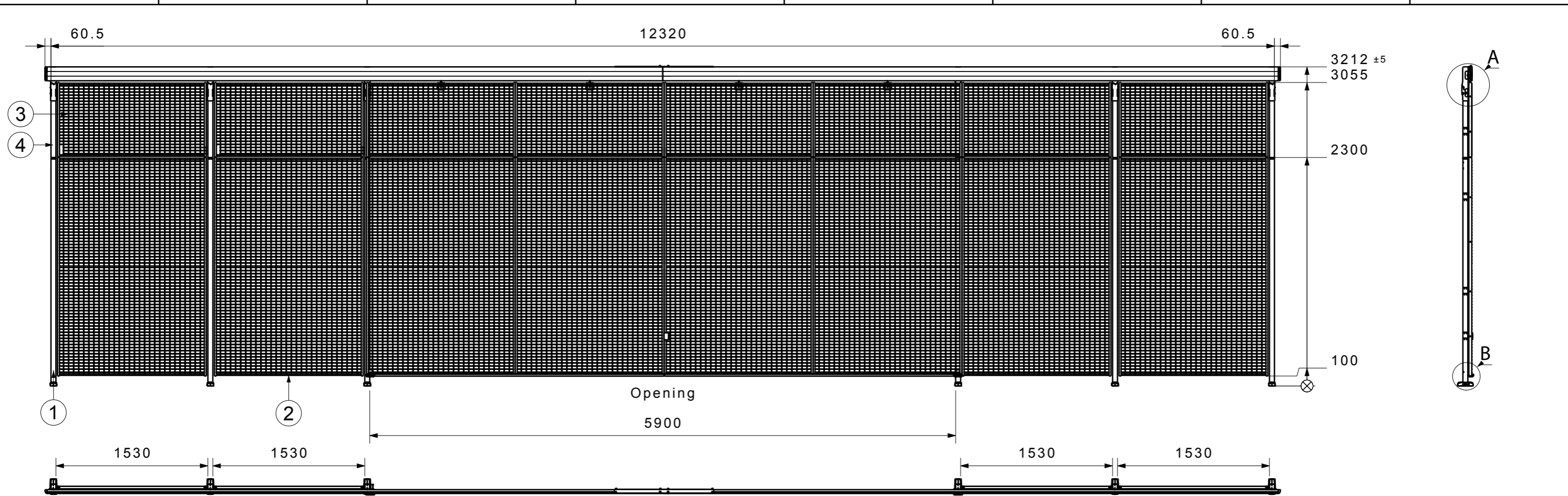
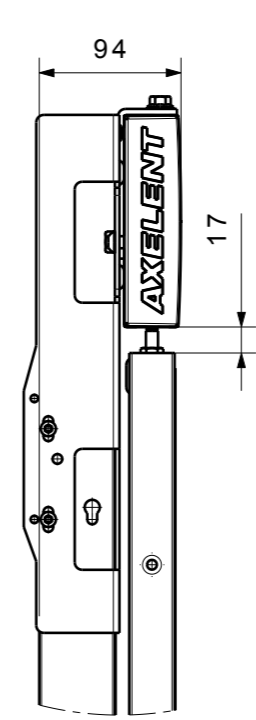


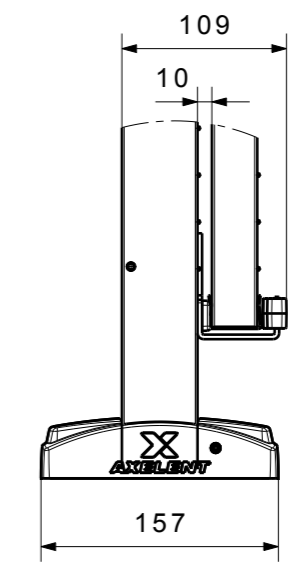
H G F E D C B A




A (1:5)



B (1:5)



Item No.	Name	Quantity
1	P11-230	6
2	322-220150	8
3	322-075150	8
4	E11-075	6


Title **D22-XXX590B**
Scale 1:40
 Rev. --A
 Date 4/26/2013

H G B A