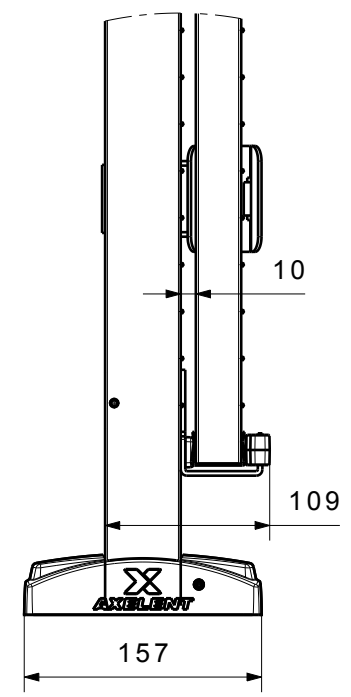
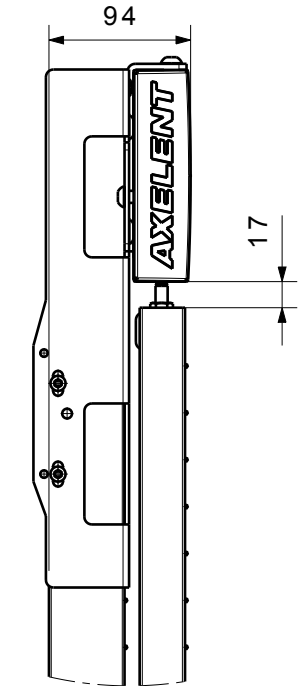




A (1:5)



B (1:5)



Item No.	Name	Quantity
1	P11-230	6
2	322-220150	7
3	322-220140	1


 Title: **D20-XXX570A**

 Scale: 1:45
 Rev: --A
 Date: 4/22/2013